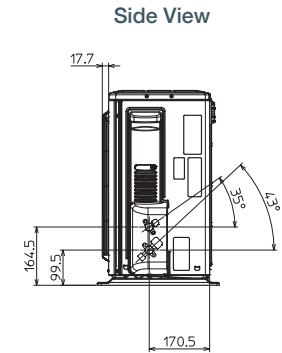
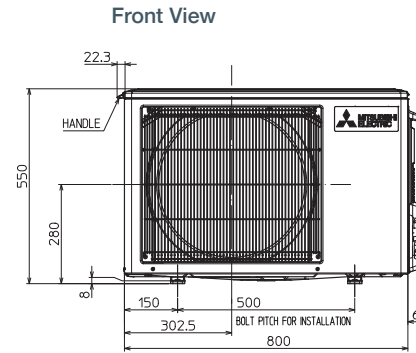
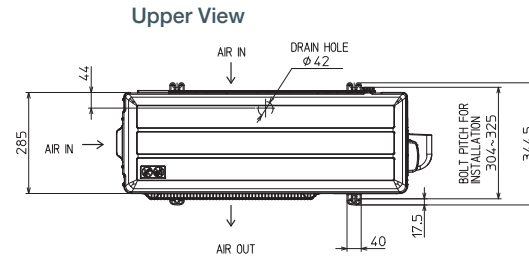


# Outdoor Units

## Product Dimensions MUZ-AY20/25/35/42VG



## Product Dimensions MUZ-AY50VG

