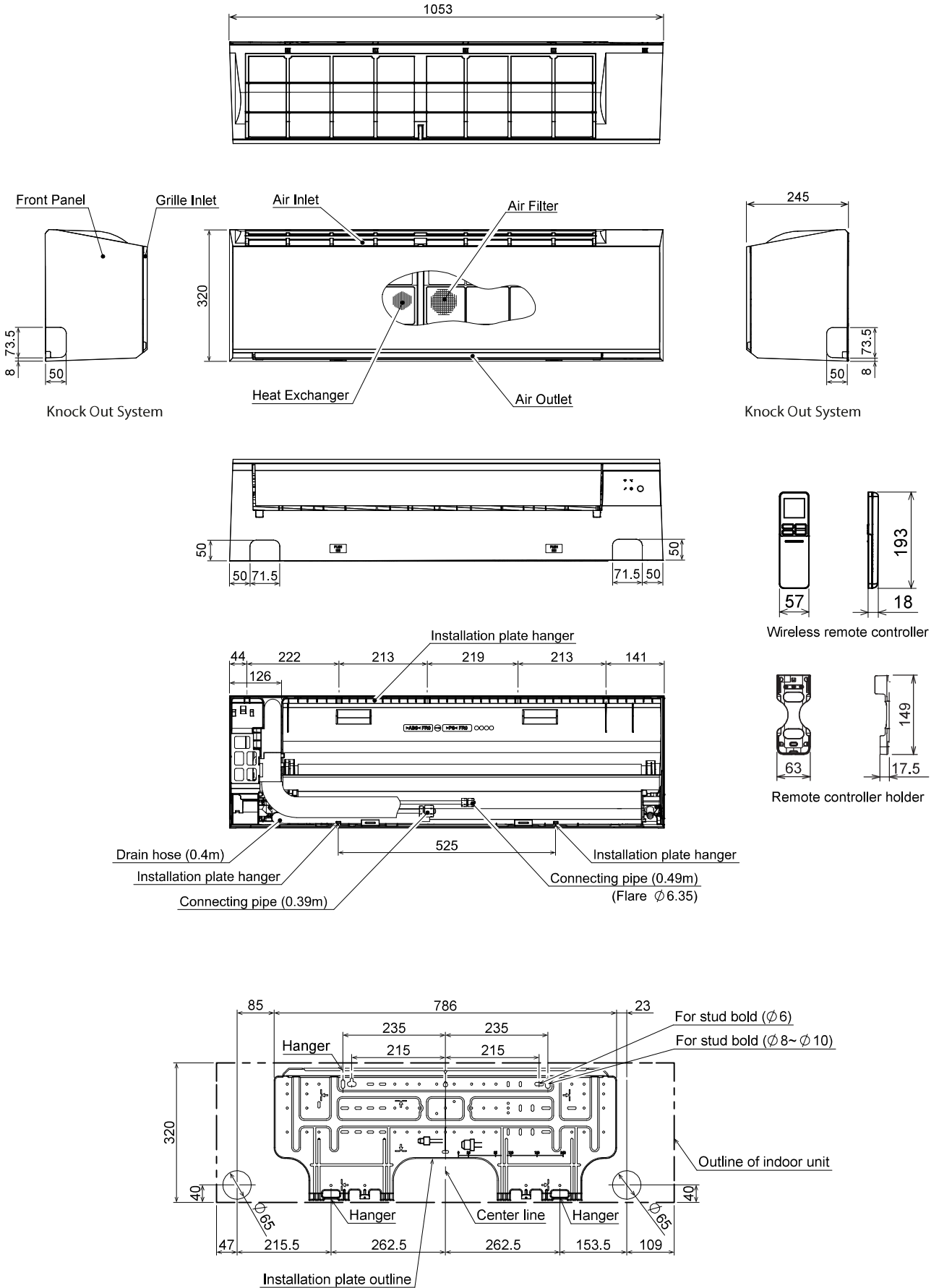


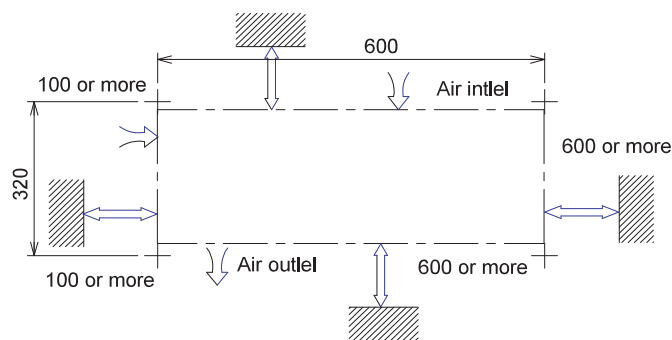
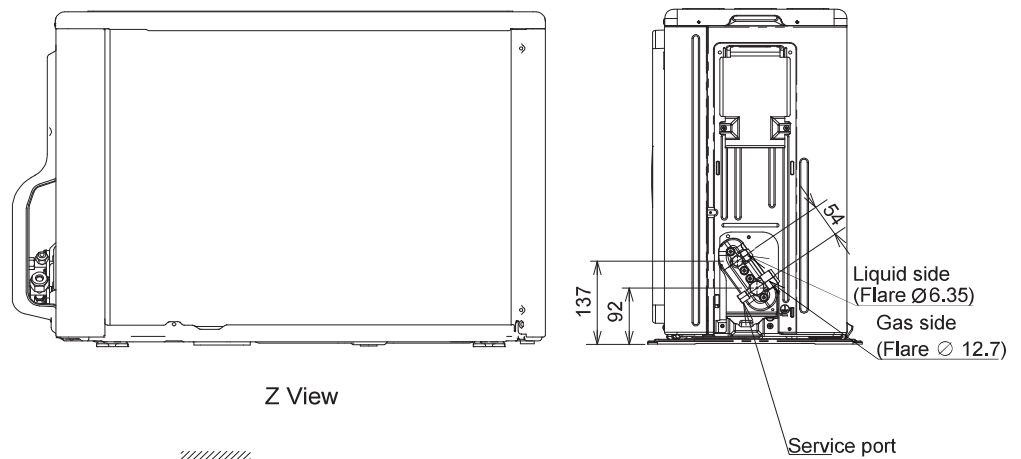
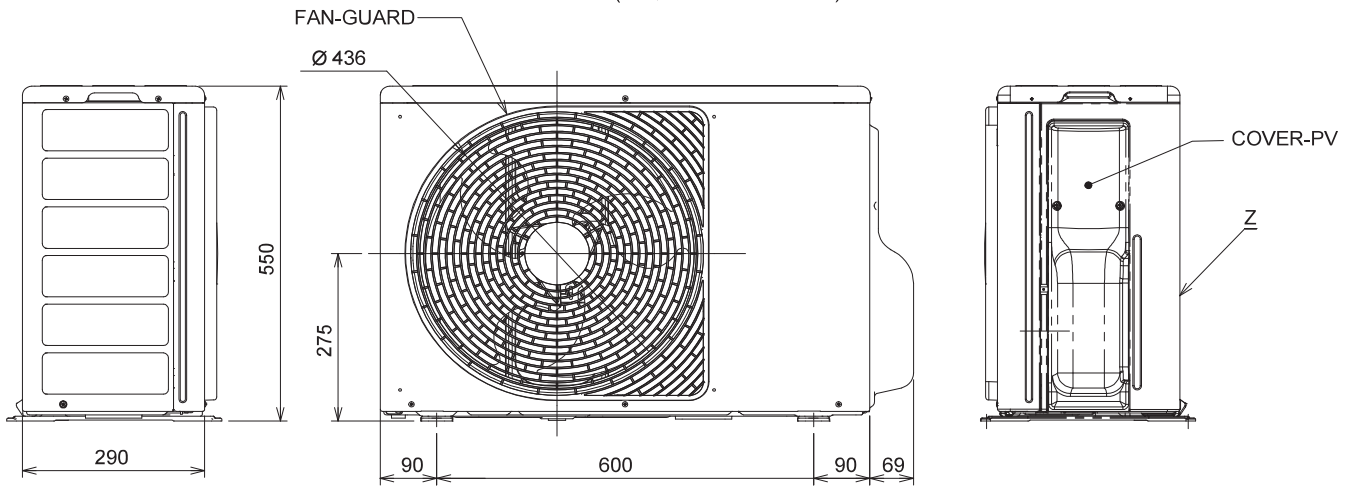
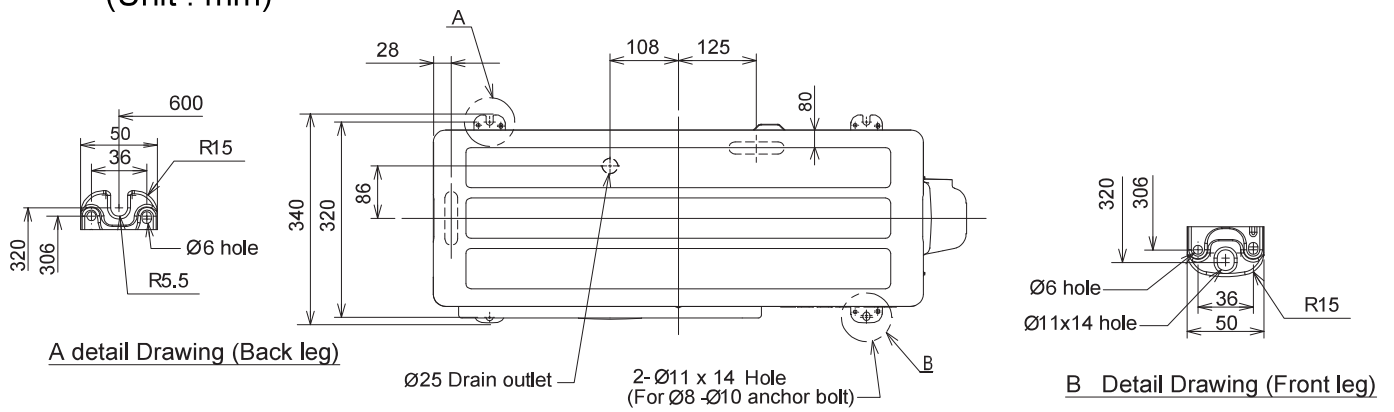
4. CONSTRUCTION VIEWS

4-1. Indoor Unit



4-2. Outdoor Unit (RAS-18, 22J2AVSG-E)

(Unit : mm)



Outdoor-Unit (RAS-24J2AVSG-E)

(Unit : mm)

