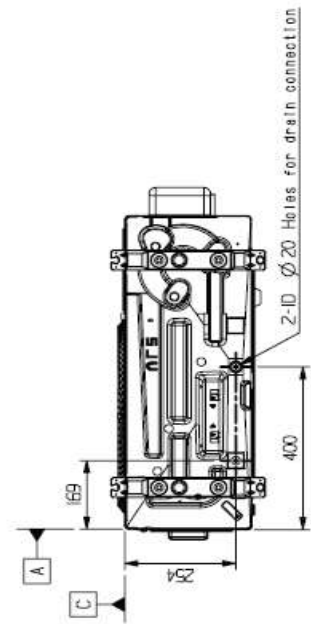
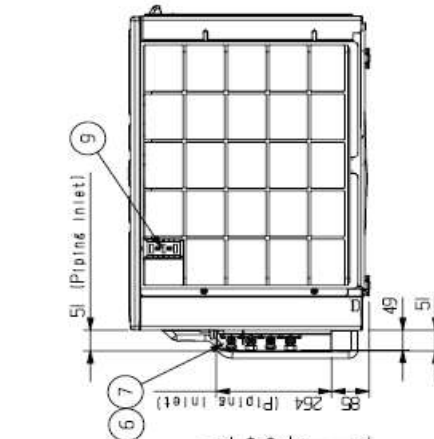
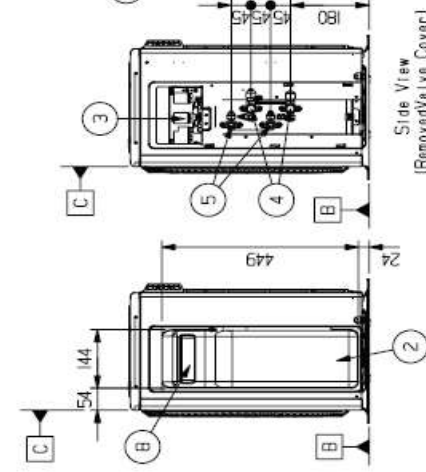
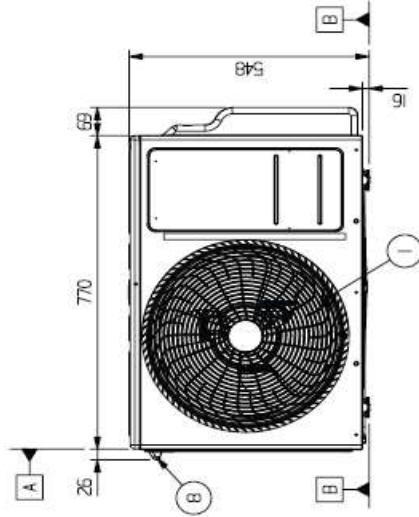
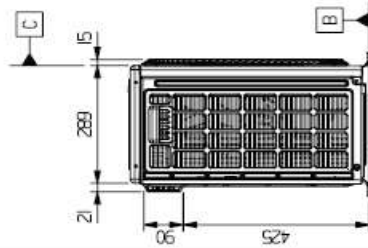
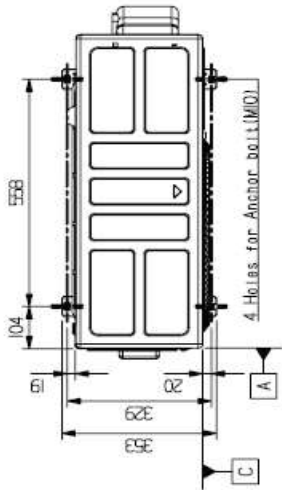
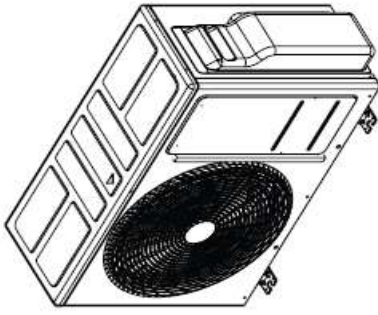


# Kondenzační jednotka MU2R15~17.U13

[Unit: mm]  
 Chassis Code : U18A  
 DWG No. : TBW35426701\_Rev.1



No.	Part Name	Description
9	Intake Air Temperature Sensor	-
8	Handle	-
7	Remnant Pipe Routing Hole	-
6	Power and Connection Cable Routing Hole	-
5	Leard Pipe Connection	-
4	Gas Pipe Connection	-
3	Power and Communication Cable Connection	-
2	Control Cover & Sync Valve Cover	-
1	Air Outlet	-