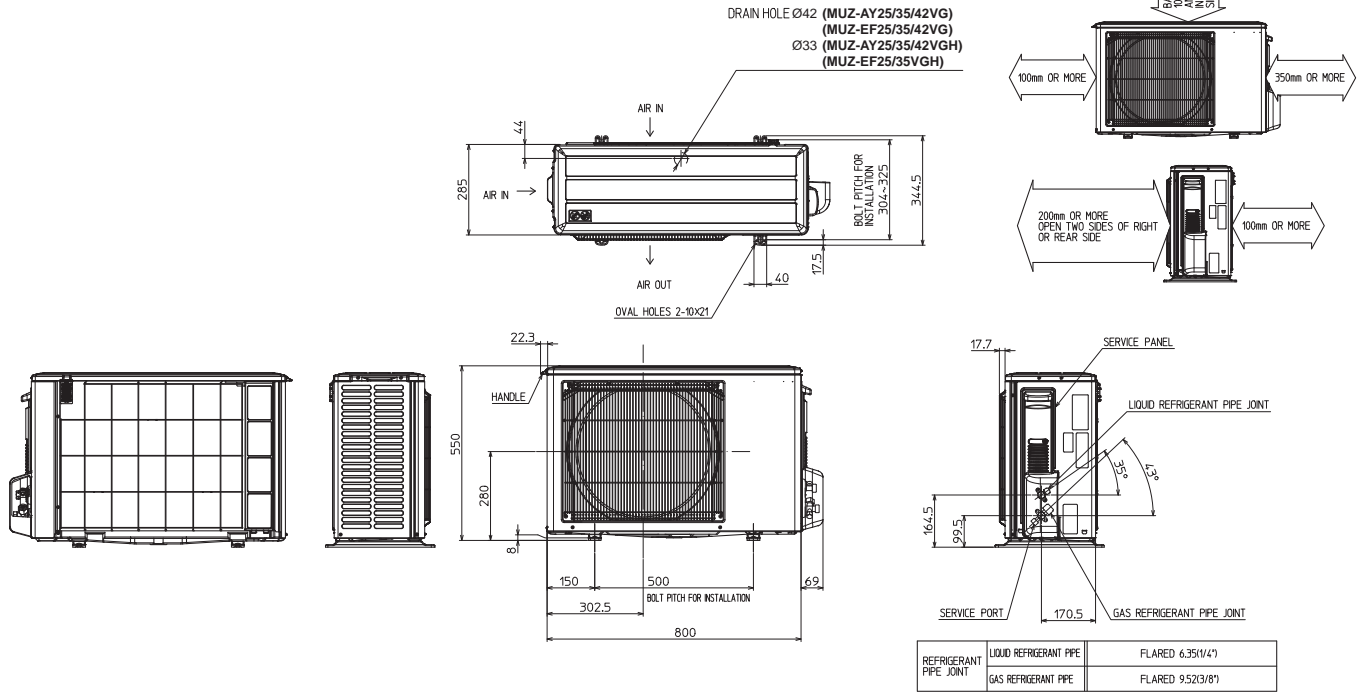


Unit: mm

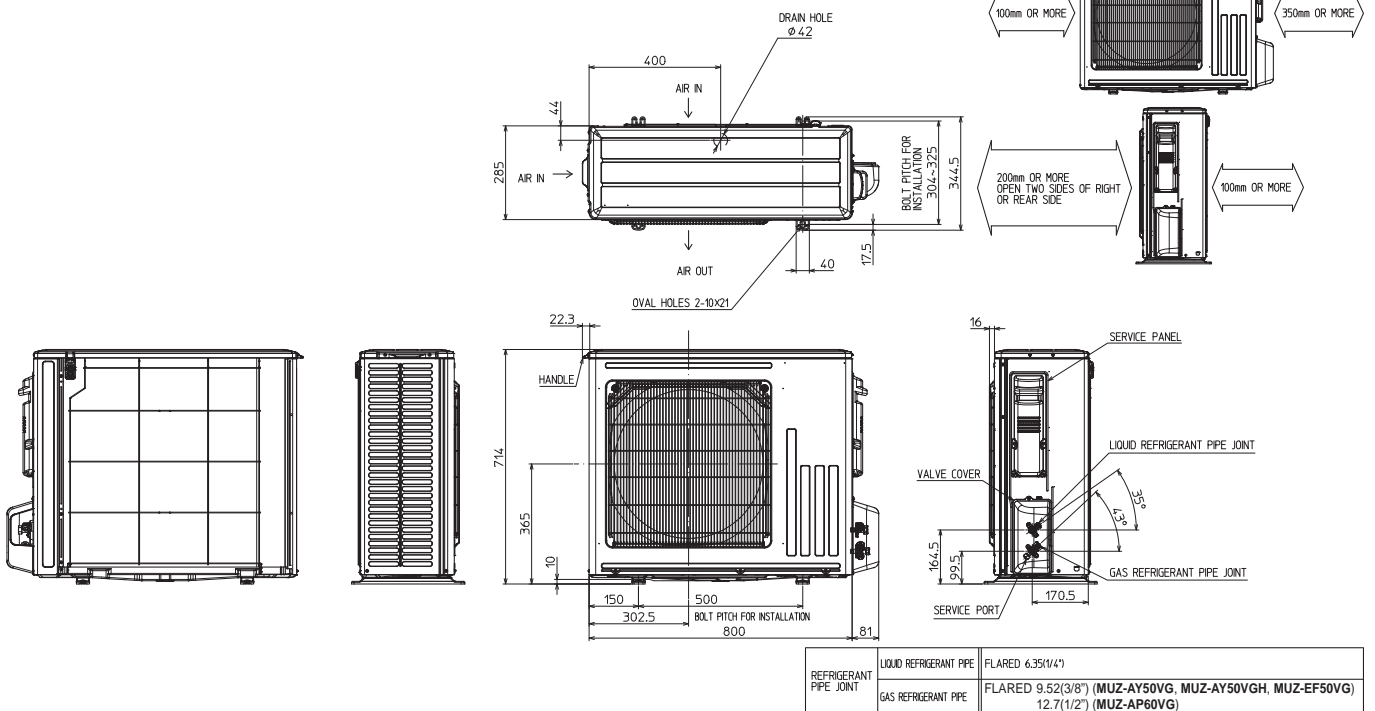
- MUZ-AY25VG**
- MUZ-AY35VG**
- MUZ-AY42VG**
- MUZ-AY25VGH**
- MUZ-AY35VGH**
- MUZ-AY42VGH**
- MUZ-EF25VG**
- MUZ-EF35VG**
- MUZ-EF42VG**
- MUZ-EF25VGH**
- MUZ-EF35VGH**

**OUTDOOR UNIT**



- MUZ-AY50VG**
- MUZ-AY50VGH**
- MUZ-AP60VG**
- MUZ-EF50VG**

**OUTDOOR UNIT**



WALL-MOUNTED OUTLINES AND DIMENSIONS