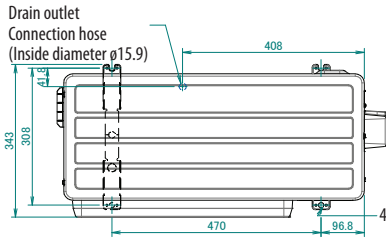


# Dimensional drawings

## Dimensional Drawings

### RXP20-35N

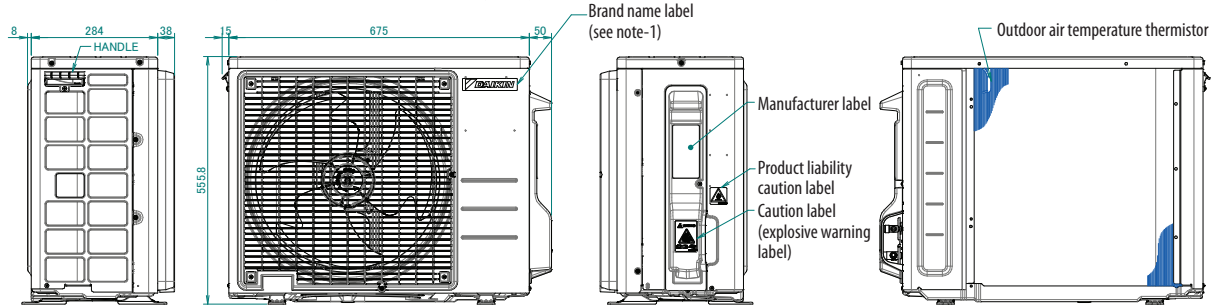


#### NOTATION

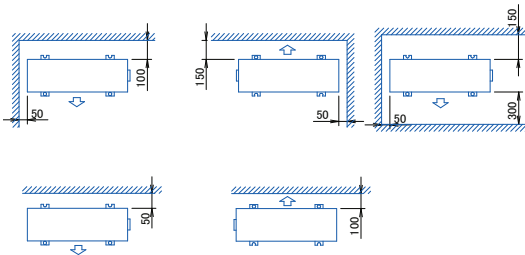
1- brand name label details can be seen below.

Daikin brand label: 3P698070-1

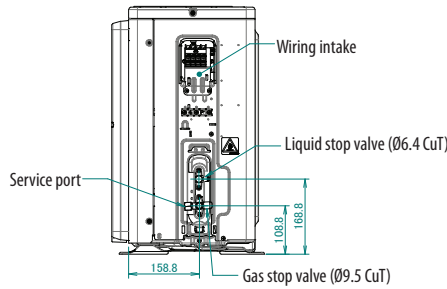
Siesta brand label: 3P698070-3



Minimum space for air passage  
Wall height on air outlet side < 1200 mm

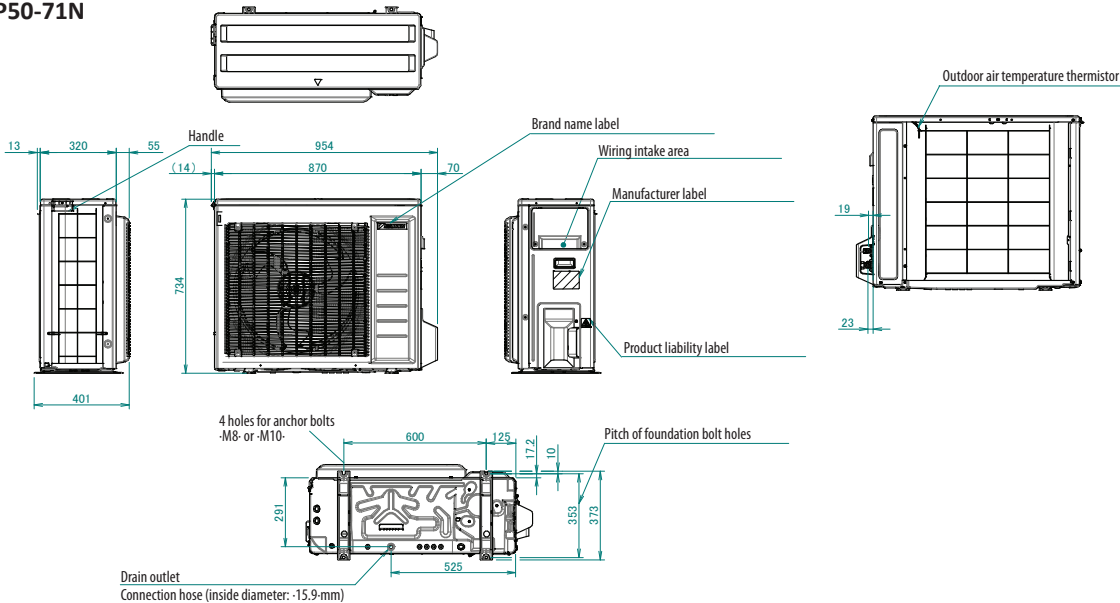


In case of removing the stop valve cover.

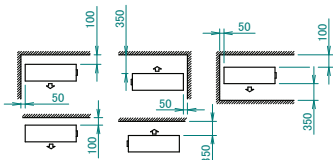


**2D143507**

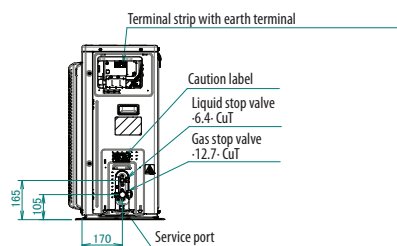
### RXP50-71N



Minimum space for air passage  
Wall height on air outlet side < 1200 mm



In case of removing the stop valve cover.



**3D142808**