

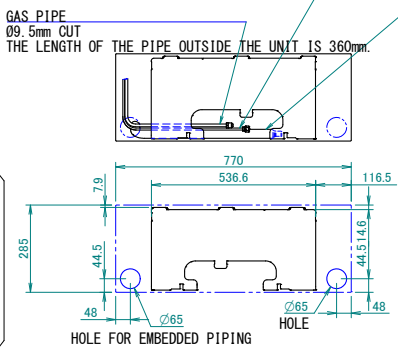
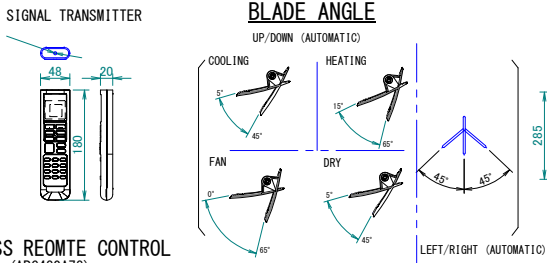
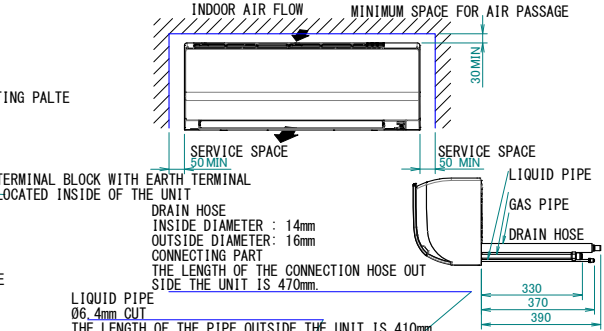
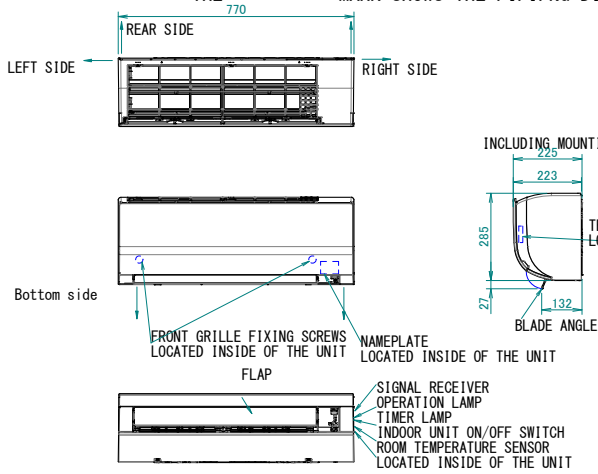
# Dimensional drawings

## Dimensional Drawings

### ATXP-N FTXP20-35N

THE " → " MARK SHOWS THE PIPING DIRECTION.

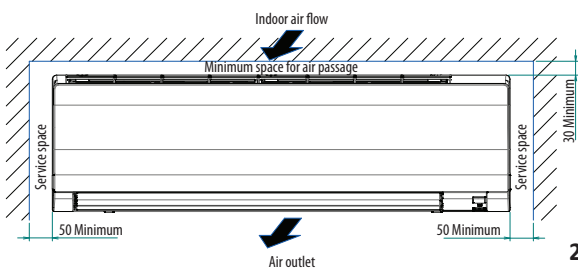
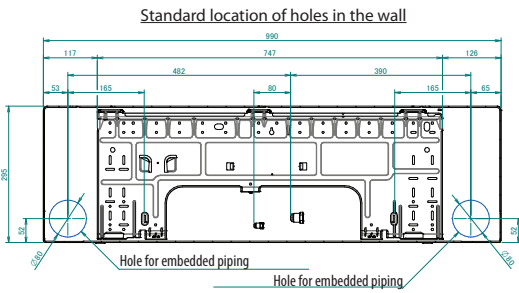
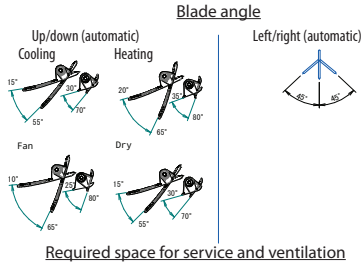
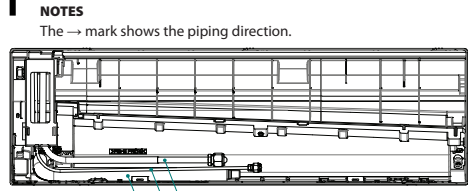
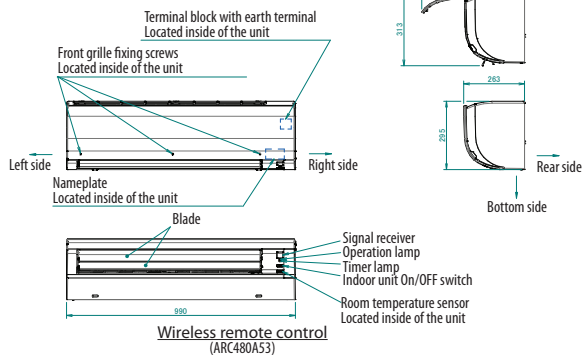
#### REQUIRED SPACE FOR SERVICE AND VENTILATION



#### STANDARD LOCATION OF HOLES IN THE WALL

3D144255

### FTXP50-71N



2D142295