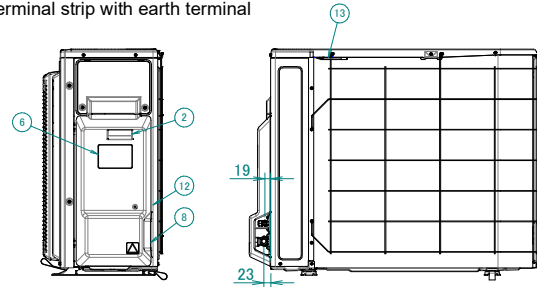
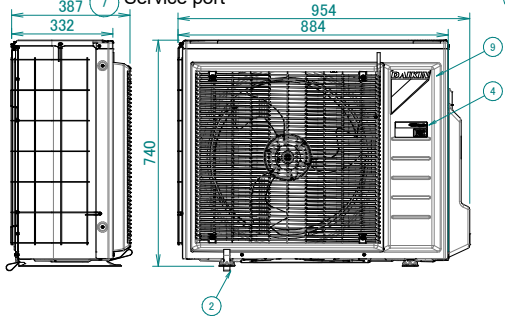


# 6 Dimensional drawings

## 6 - 1 Dimensional Drawings

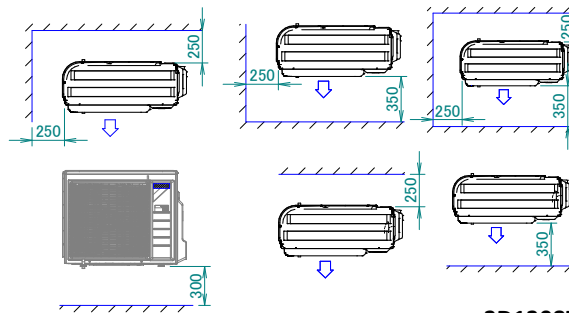
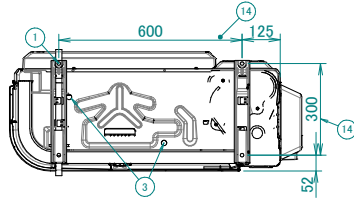
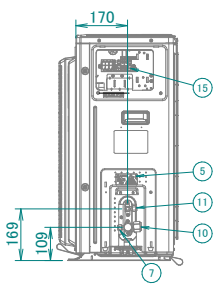
ERGA04-08EV  
ERGA04-08EVA

- ① 4 holes for anchor bolts  
M8 OR M10
- ② Handle
- ③ Drain outlet
- ④ Nameplate
- ⑤ Caution label
- ⑥ Manufacturer label
- ⑦ Service port
- ⑧ Wiring intake area
- ⑨ Brand name label
- ⑩ Gas stop valve  $\varnothing 15.9$  CuT
- ⑪ Liquid stop valve  $\varnothing 6.4$  CuT
- ⑫ Product liability label
- ⑬ Outdoor air temperature thermistor
- ⑭ Pitch of foundation bolt holes
- ⑮ Terminal strip with earth terminal



Minimum space for air passage  
Wall height on air outlet side < 1200 mm

In case of removing the stop valve cover.



3D130871