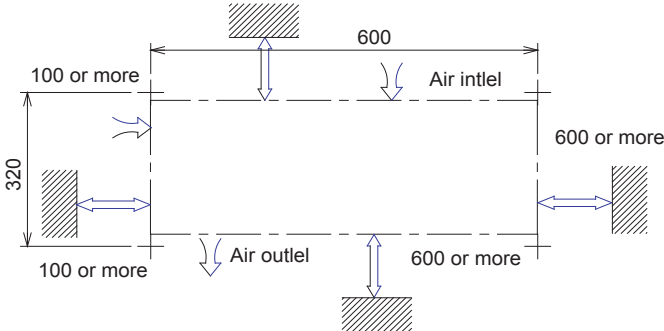
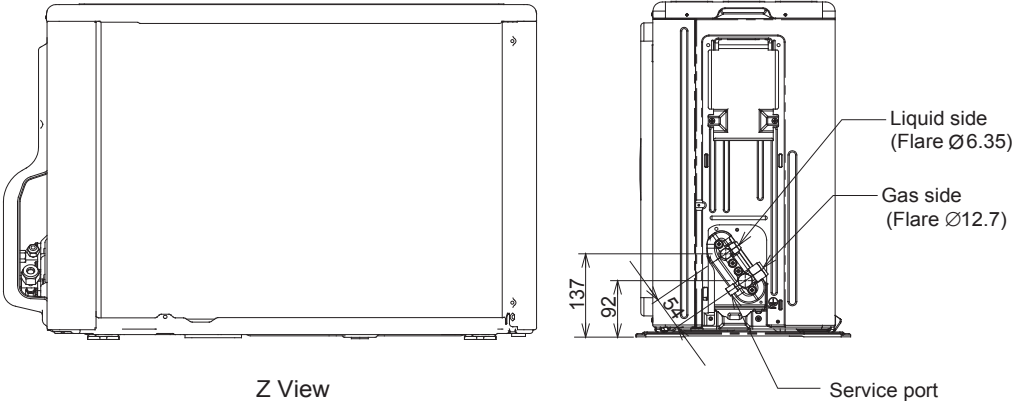
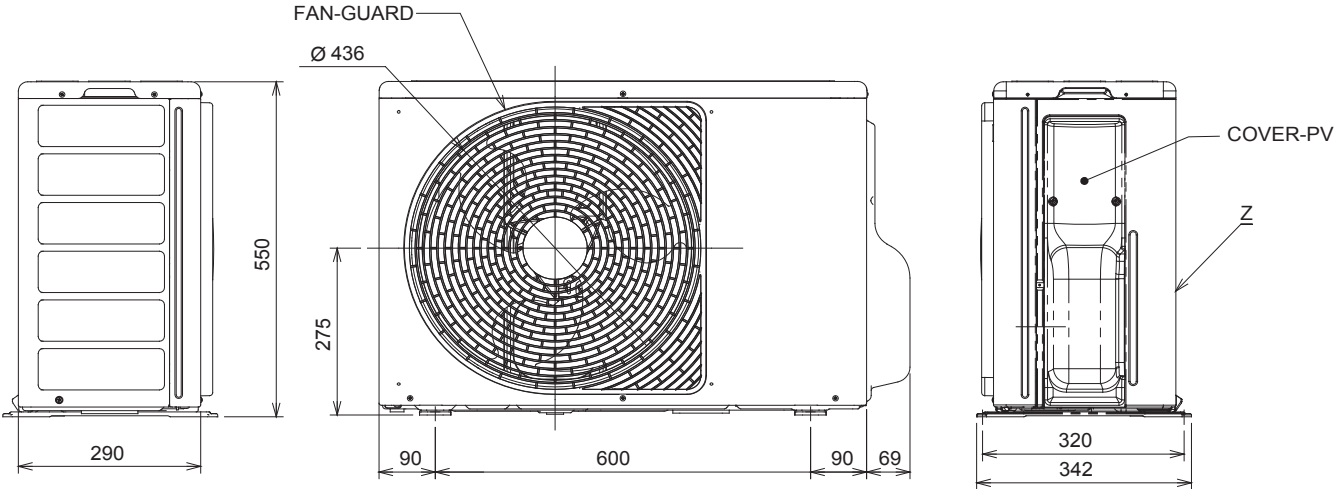
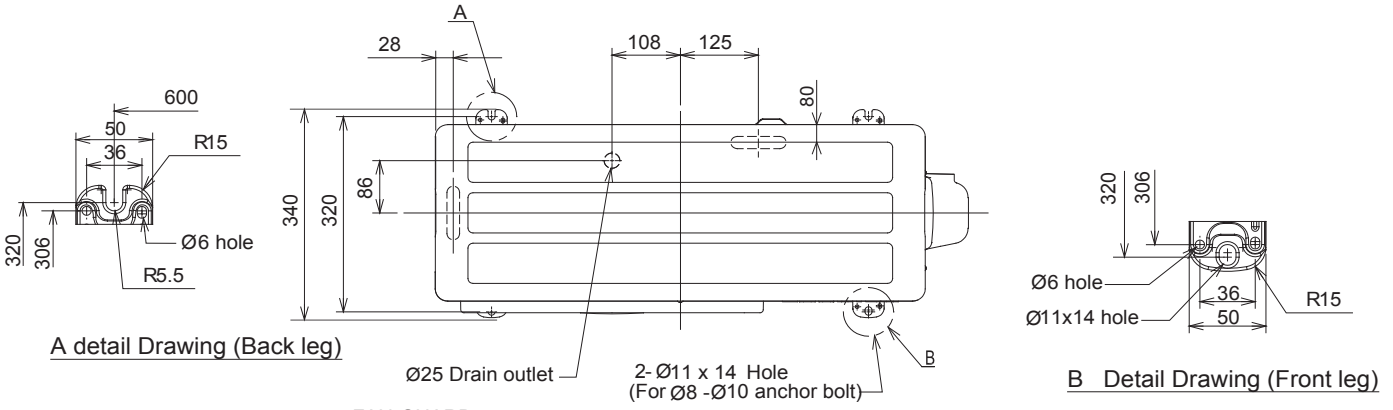


**4-2. Outdoor Unit
(Unit : mm)**



Installation dimension