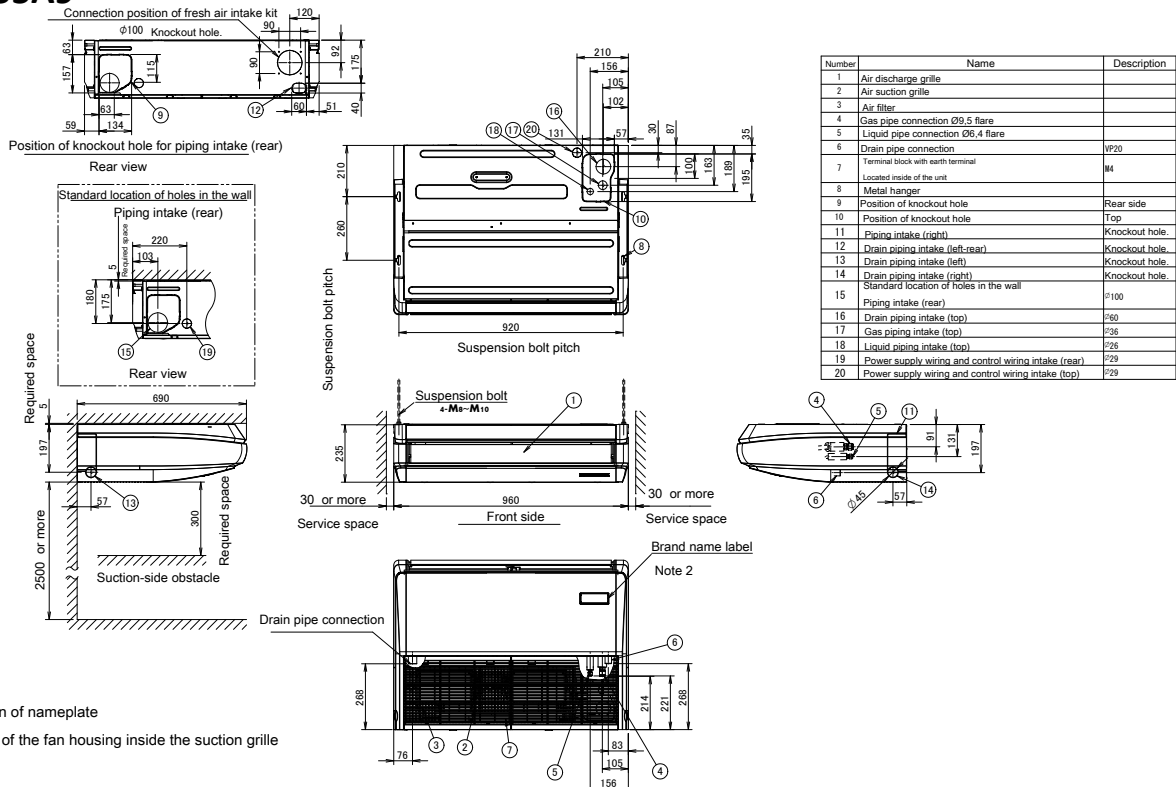


5 Dimensional drawings

5 - 1 Dimensional Drawings

FHA35A9

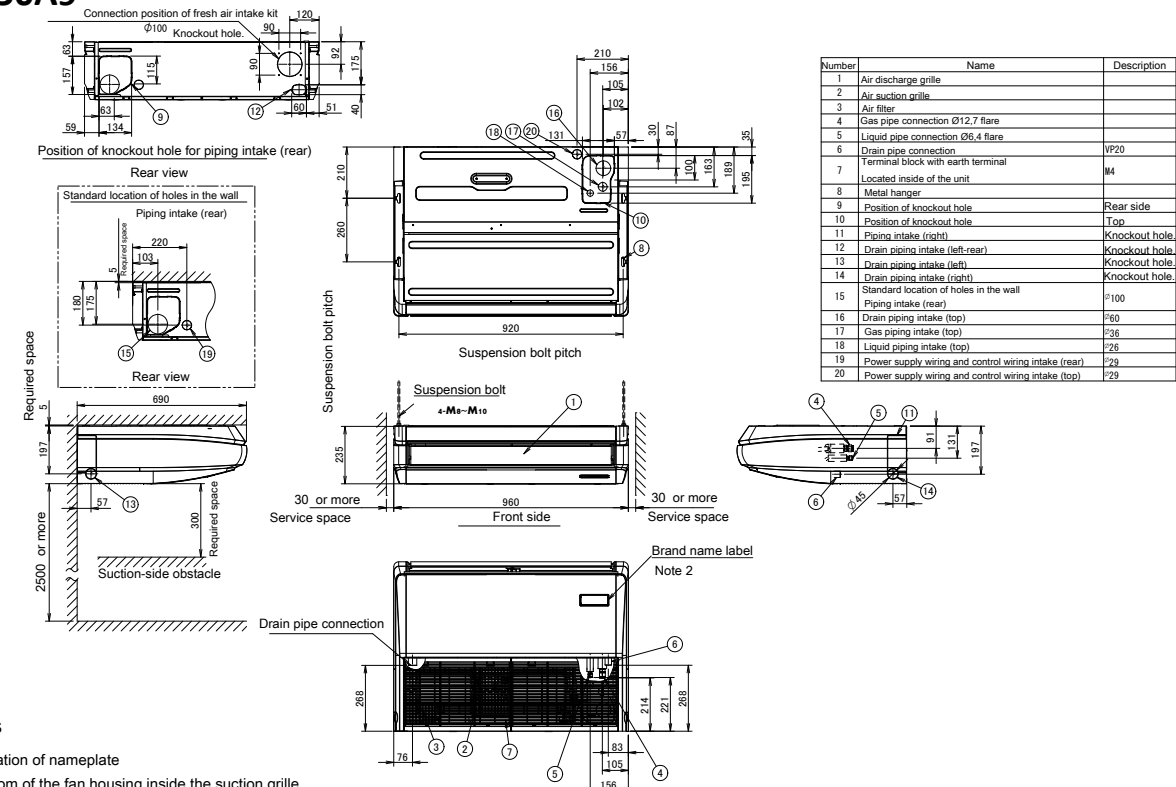


Number	Name	Description
1	Air discharge grille	
2	Air suction grille	
3	Air filter	
4	Gas pipe connection Ø9.5 flare	
5	Liquid pipe connection Ø6.4 flare	
6	Drain pipe connection	VP20
7	Terminal block with earth terminal	M4
8	Metal hanger	
9	Position of knockout hole	Rear side
10	Position of knockout hole	Top
11	Piping intake (right)	Knockout hole
12	Drain piping intake (left-rear)	Knockout hole
13	Drain piping intake (left)	Knockout hole
14	Drain piping intake (right)	Knockout hole
15	Standard location of holes in the wall	φ100
16	Piping intake (rear)	φ60
17	Gas piping intake (top)	φ36
18	Liquid piping intake (top)	φ26
19	Power supply wiring and control wiring intake (rear)	φ29
20	Power supply wiring and control wiring intake (top)	φ29

- Notes
 Location of nameplate
 Bottom of the fan housing inside the suction grille
- When installing a wireless controller, there will be a receiver on this location.
 For details, see the drawing of the wireless controller.
- Do not place any objects under the indoor unit. In case of high humidity (>80%), clogged drain outlets, or dirty air filters, condensate may drop out.

3D106574A

FHA50A9



Number	Name	Description
1	Air discharge grille	
2	Air suction grille	
3	Air filter	
4	Gas pipe connection Ø12.7 flare	
5	Liquid pipe connection Ø6.4 flare	
6	Drain pipe connection	VP20
7	Terminal block with earth terminal	M4
8	Metal hanger	
9	Position of knockout hole	Rear side
10	Position of knockout hole	Top
11	Piping intake (right)	Knockout hole
12	Drain piping intake (left-rear)	Knockout hole
13	Drain piping intake (left)	Knockout hole
14	Drain piping intake (right)	Knockout hole
15	Standard location of holes in the wall	φ100
16	Piping intake (rear)	φ60
17	Gas piping intake (top)	φ36
18	Liquid piping intake (top)	φ26
19	Power supply wiring and control wiring intake (rear)	φ29
20	Power supply wiring and control wiring intake (top)	φ29

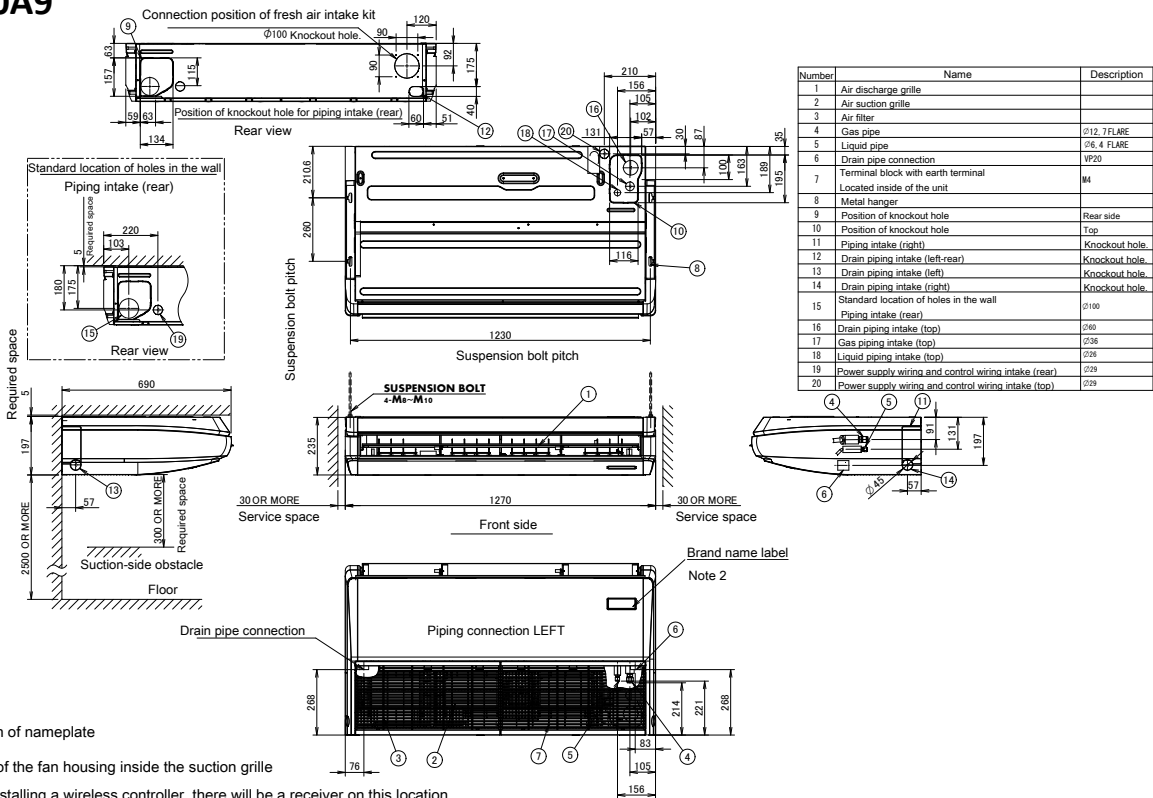
- Notes
 Location of nameplate
 Bottom of the fan housing inside the suction grille
- When installing a wireless controller, there will be a receiver on this location.
 For details, see the drawing of the wireless controller.
- Do not place any objects under the indoor unit. In case of high humidity (>80%), clogged drain outlets, or dirty air filters, condensate may drop out.

3D109224A

5 Dimensional drawings

5 - 1 Dimensional Drawings

FHA60A9



Notes

- 1) Location of nameplate
Bottom of the fan housing inside the suction grille
- 2) When installing a wireless controller, there will be a receiver on this location.
For details, see the drawing of the wireless controller.
- 3) Do not place any objects under the indoor unit.
In case of high humidity (>80%), clogged drain outlets, or dirty air filters, condensate may drop out.

3D106552