

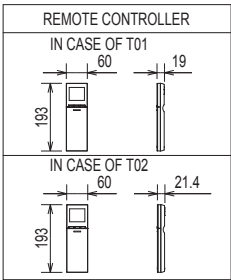
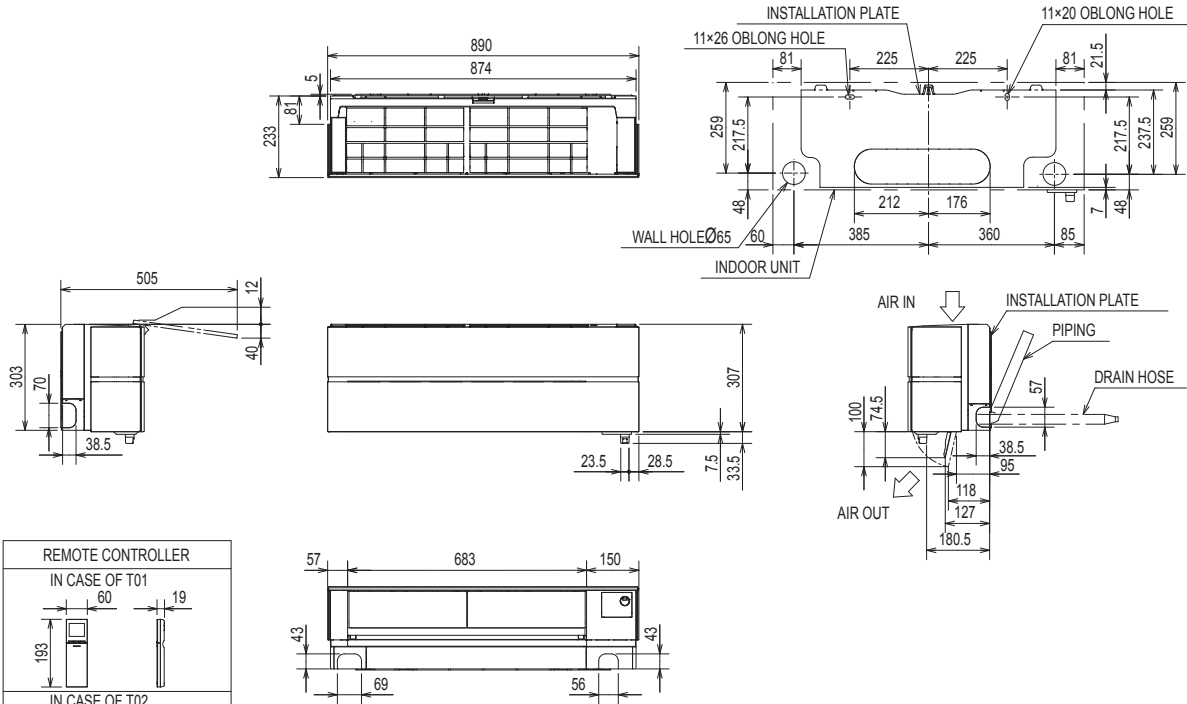
C.1.2 OUTLINES AND DIMENSIONS

C.1.2.1 Indoor Unit

Unit: mm

MSZ-LN18VGW	MSZ-LN25VGW	MSZ-LN35VGW	MSZ-LN50VGW	MSZ-LN60VGW
MSZ-LN18VGV	MSZ-LN25VGV	MSZ-LN35VGV	MSZ-LN50VGV	MSZ-LN60VGV
MSZ-LN18VGB	MSZ-LN25VGB	MSZ-LN35VGB	MSZ-LN50VGB	MSZ-LN60VGB
MSZ-LN18VGR	MSZ-LN25VGR	MSZ-LN35VGR	MSZ-LN50VGR	MSZ-LN60VGR

INDOOR UNIT



MSZ-LN18/25/35/50VGW		MSZ-LN18/25/35/50VGV,VGB,VGR	
PIPING	INSULATION	Ø35 O.D	Ø35 O.D
	LIQUID LINE	Ø6.35 - 0.5m (FLARED CONNECTION Ø6.35)	Ø6.35 - 0.5m (FLARED CONNECTION Ø6.35)
	GAS LINE	Ø9.52 - 0.45m (FLARED CONNECTION Ø9.52)	Ø9.52 - 0.45m (FLARED CONNECTION Ø9.52)
DRAIN HOSE	INSULATION Ø28 CONNECTED PART Ø16 O.D		INSULATION Ø28 CONNECTED PART Ø16 O.D
REMOTE CONTROLLER	T01		T02

MSZ-LN60VGW		MSZ-LN60VGV,VGB,VGR	
PIPING	INSULATION	Ø37 O.D	Ø37 O.D
	LIQUID LINE	Ø6.35 - 0.5m (FLARED CONNECTION Ø6.35)	Ø6.35 - 0.5m (FLARED CONNECTION Ø6.35)
	GAS LINE	Ø9.52 - 0.45m (FLARED CONNECTION Ø12.7)	Ø9.52 - 0.45m (FLARED CONNECTION Ø12.7)
DRAIN HOSE	INSULATION Ø28 CONNECTED PART Ø16 O.D		INSULATION Ø28 CONNECTED PART Ø16 O.D
REMOTE CONTROLLER	T01		T02

OUTLINES AND DIMENSIONS WALL-MOUNTED