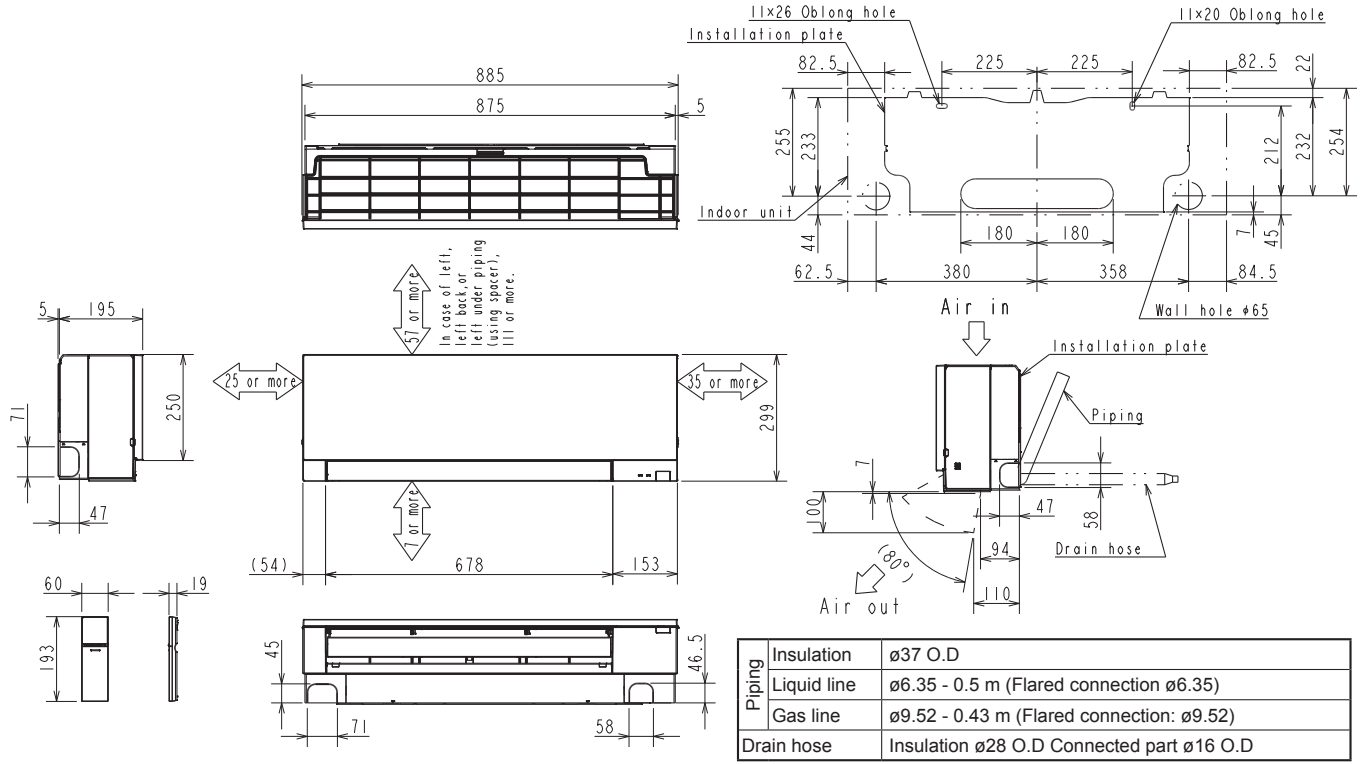


Unit: mm

MSZ-EF18VGW MSZ-EF22VGW MSZ-EF25VGW MSZ-EF35VGW MSZ-EF42VGW MSZ-EF50VGW
 MSZ-EF18VGB MSZ-EF22VGB MSZ-EF25VGB MSZ-EF35VGB MSZ-EF42VGB MSZ-EF50VGB
 MSZ-EF18VGS MSZ-EF22VGS MSZ-EF25VGS MSZ-EF35VGS MSZ-EF42VGS MSZ-EF50VGS

INDOOR UNIT



Insulation	ø37 O.D
Liquid line	ø6.35 - 0.5 m (Flared connection ø6.35)
Gas line	ø9.52 - 0.43 m (Flared connection: ø9.52)
Drain hose	Insulation ø28 O.D Connected part ø16 O.D

WALL-MOUNTED OUTLINES AND DIMENSIONS