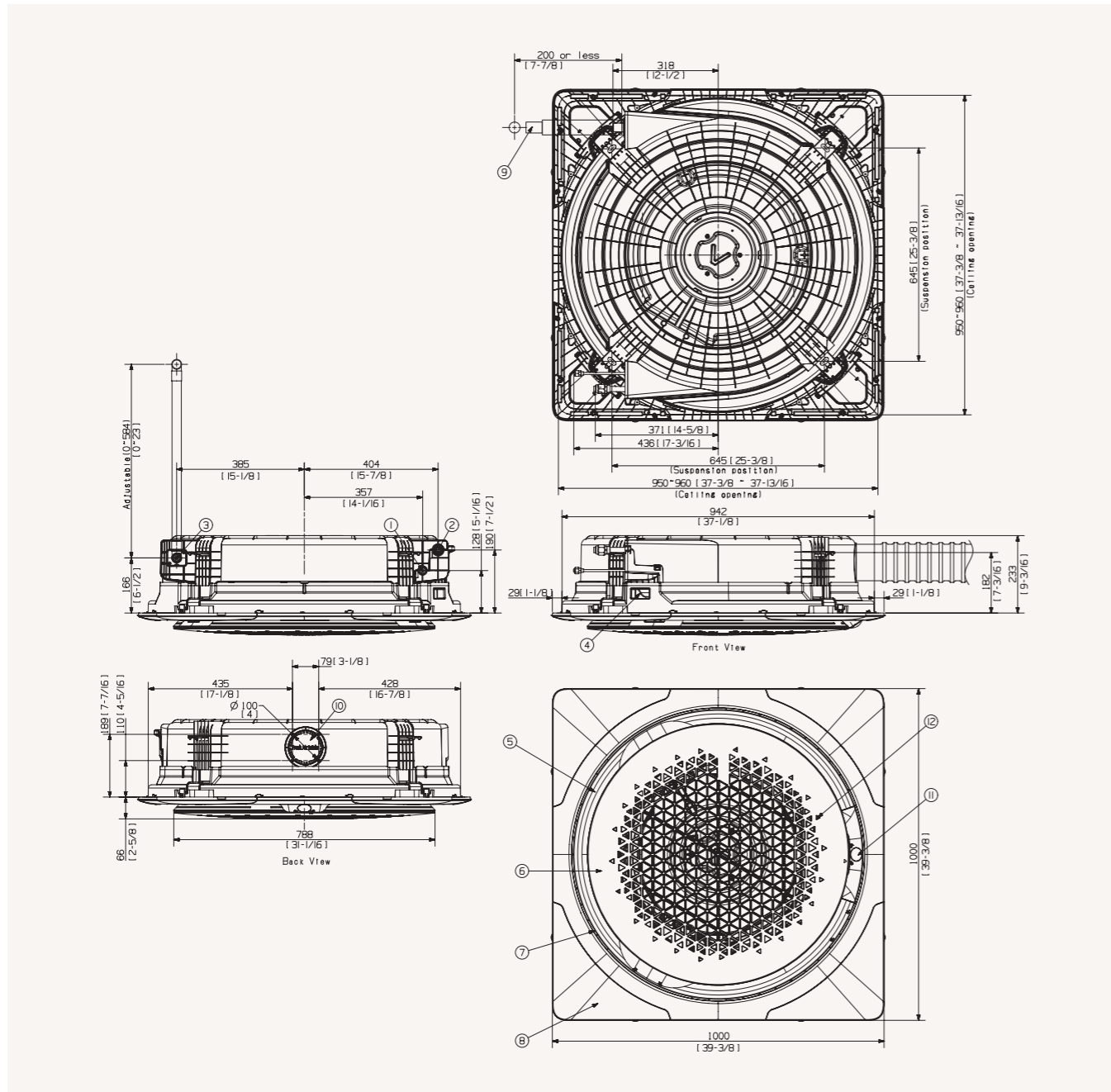


Dimensional Drawings

360 Cassette (square)

AC071*N4PK*/EU

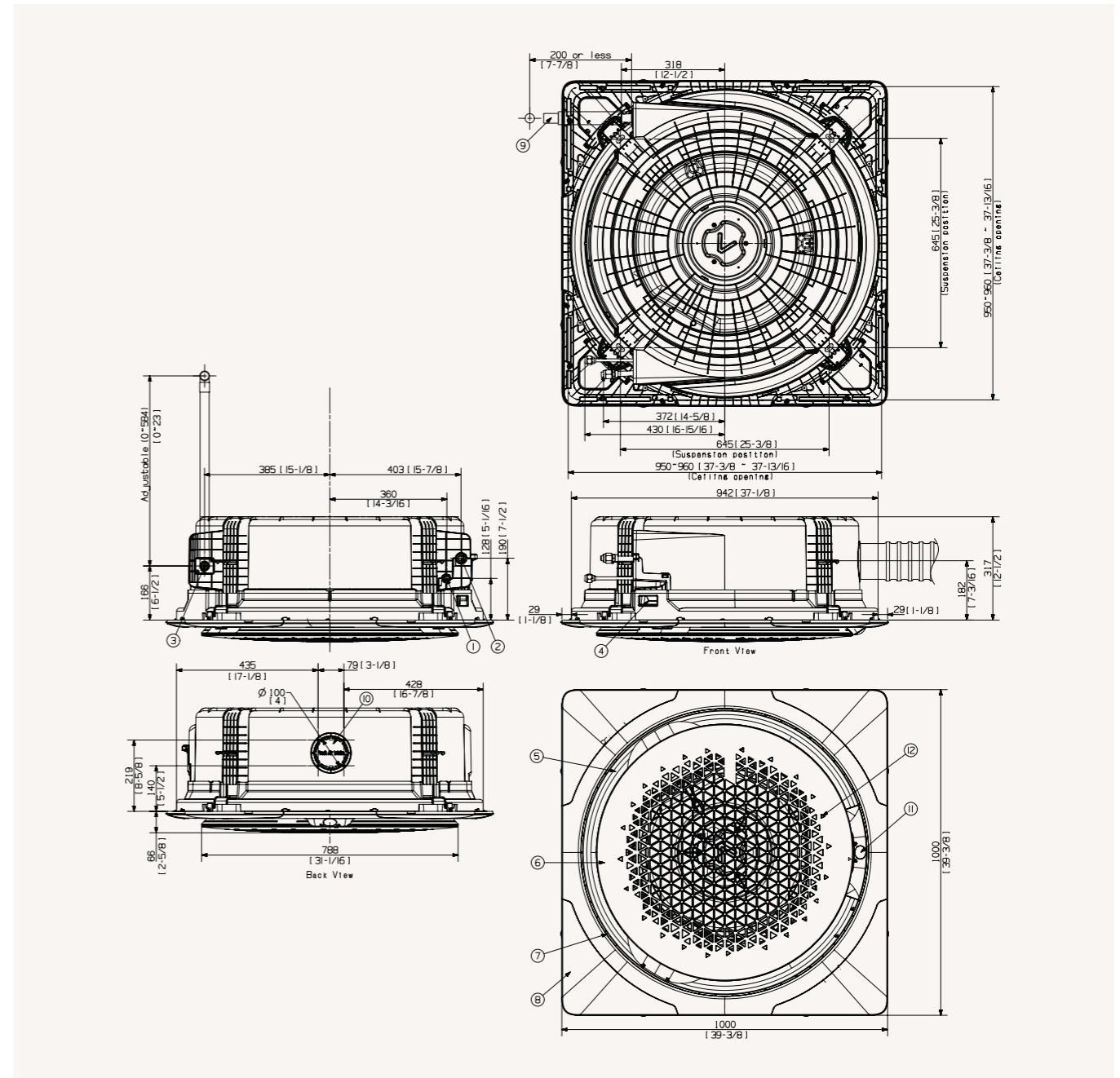


Pos.	Name	Description
1	Liquid piping	ø 6,35 mm (1/4")
2	Gas piping	ø 15,88 mm (5/8")
3	Condensation drain piping	VP-25 (OD32, ID25)
4	Power supply cables connection / communication	-
5	Air supply	-
6	Air intake	-

Pos.	Name	Description
7	Booster Fan hollow space	-
8	Panel	-
9	Condensation drain piping (accessory)	-
10	Pre-cut hole - external air	ø 100 mm
11	Display	-
12	Wireless remote controller receiver	-

360 Cassette (square)

AC090/100/120/140*N4PK*/EU



Pos.	Name	Description
1	Liquid piping	ø 9,52 mm (3/8")
2	Gas piping	ø 15,88 mm (5/8")
3	Condensation drain piping	VP-25 (OD32, ID25)
4	Power supply cables connection / communication	-
5	Air supply	-
6	Air intake	-

Pos.	Name	Description
7	Booster Fan hollow space	-
8	Panel	-
9	Condensation drain piping (accessory)	-
10	Pre-cut hole - external air	ø 100 mm
11	Display	-
12	Wireless remote controller receiver	-