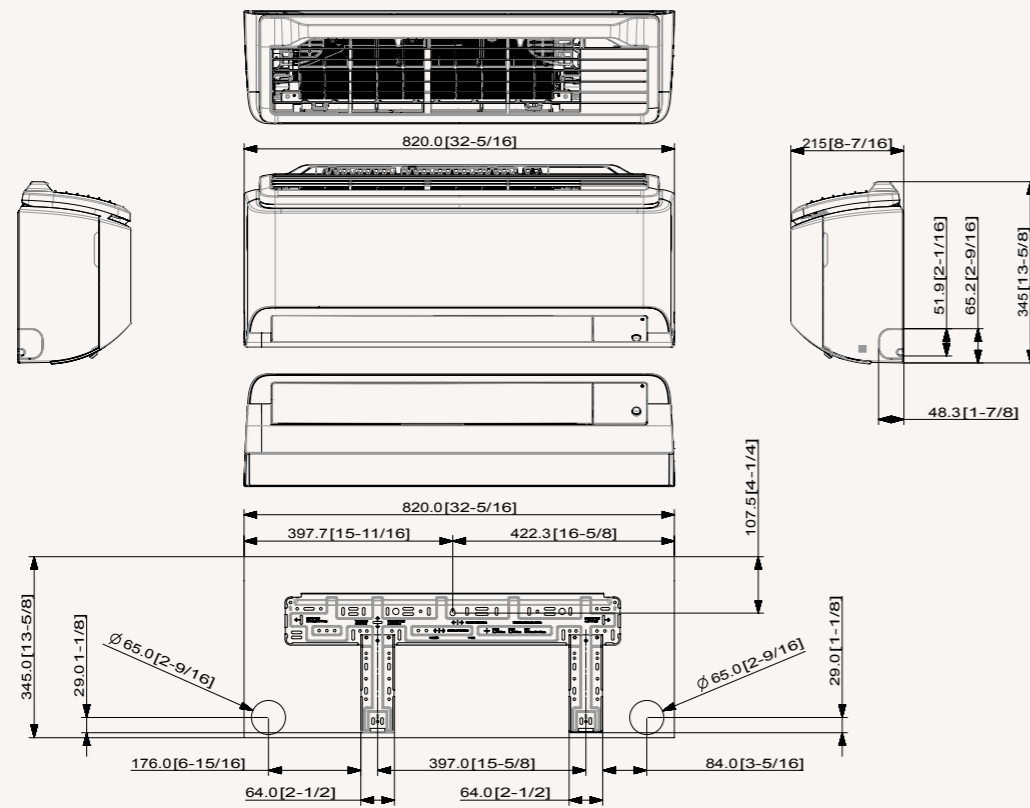


Dimensional drawings

WindFree™ Pure 1.0 - Indoor

AR09/T2AXKAAWKNEU



WindFree™ Pure 1.0 - Outdoor

AR09/T2AXKAAWKXEU

