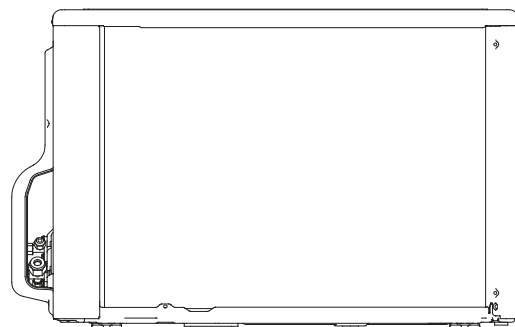
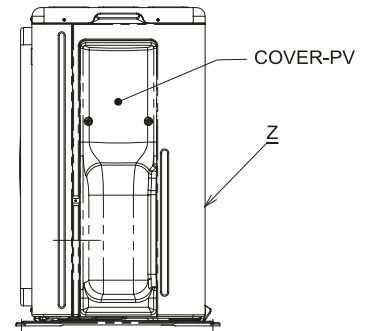
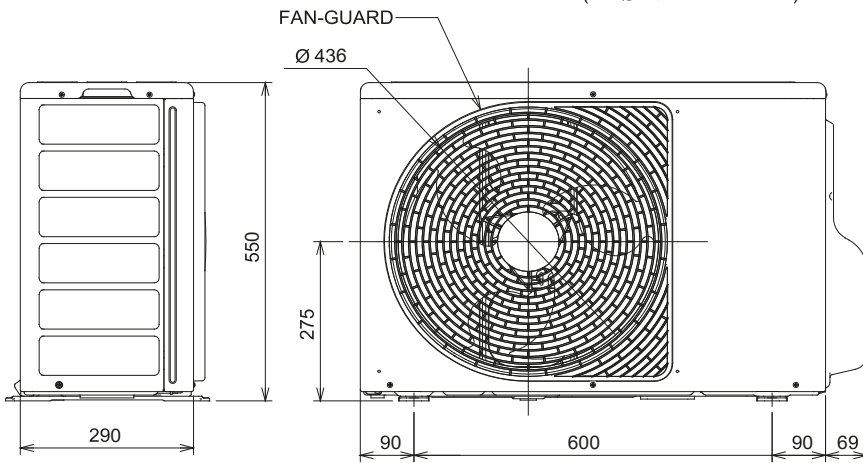
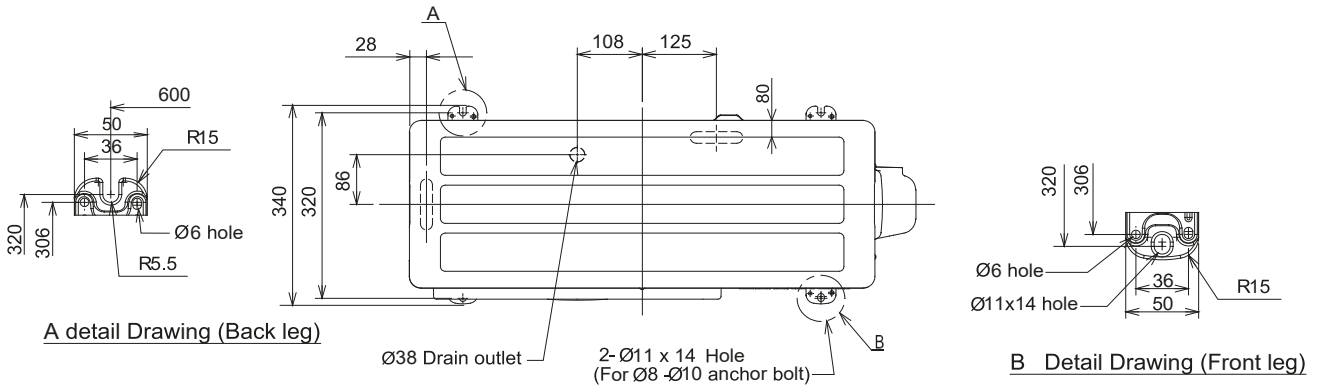
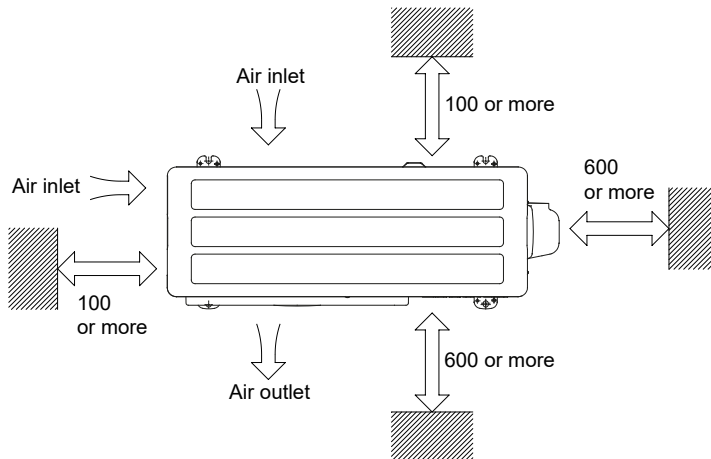
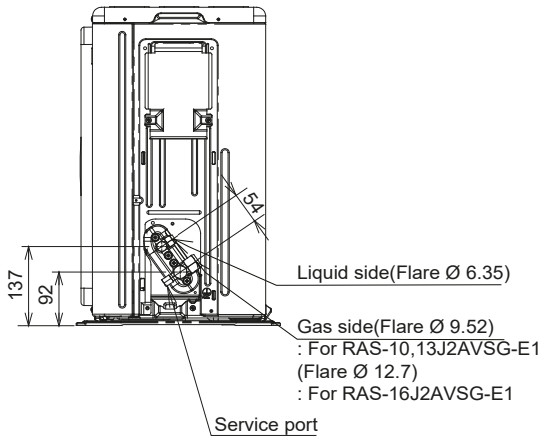


Outdoor Unit : RAS-10J2AVRG-E1, RAS-13J2AVRG-E1, RAS-16J2AVRG-E1
 RAS-10J2AVRG-TR1, RAS-13J2AVRG-TR1, RAS-16J2AVRG-TR1



Z View



(Unit : mm)

Installation dimension