

DAIKIN AIR CONDITIONERS Air discharge adapter installation manual

KDAP25A36 • 56 • 71 • 140A

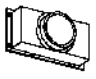
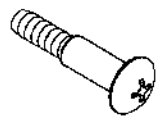
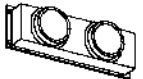
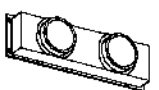
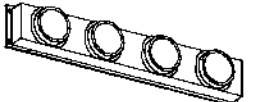
READ THESE INSTRUCTIONS
CAREFULLY BEFORE INSTALLATION

Precaution

- This product can be installed on ceiling mounted duct type air conditioner.
- Refer to the installation manual for the indoor unit as well at the time of installation.

Parts

Make sure that the following parts are provided with the product.

Name	Air discharge adapter		Screw		(Others)
36 class		1PC.	 M5×30	8PCS.	Installation manual (This copy)
56 class		1PC.		8PCS.	
71 class		1PC.		8PCS.	
140 class		1PC.		12PCS.	

Required Tools

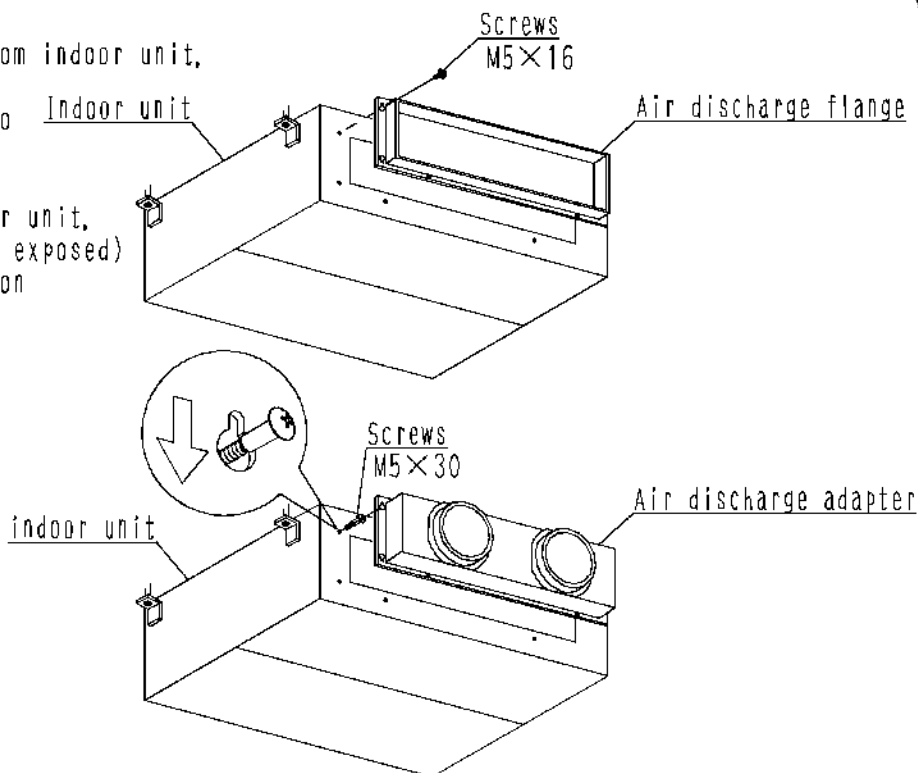
Screw driver +

Operating procedures

1. Remove the air discharge flange from indoor unit.

2. Attach the air discharge adapter to Indoor unit the indoor unit.

- ① Tighten two screws to the indoor unit, (Leave about 20mm of the thread exposed)
- ② Hang the air discharge adapter on the screws and then tighten all screws definitively.



Cautions for the installation

Fasten the screws tightly so as no gap between the indoor unit and the air discharge adapter is made.