

# 5 Dimensional drawings

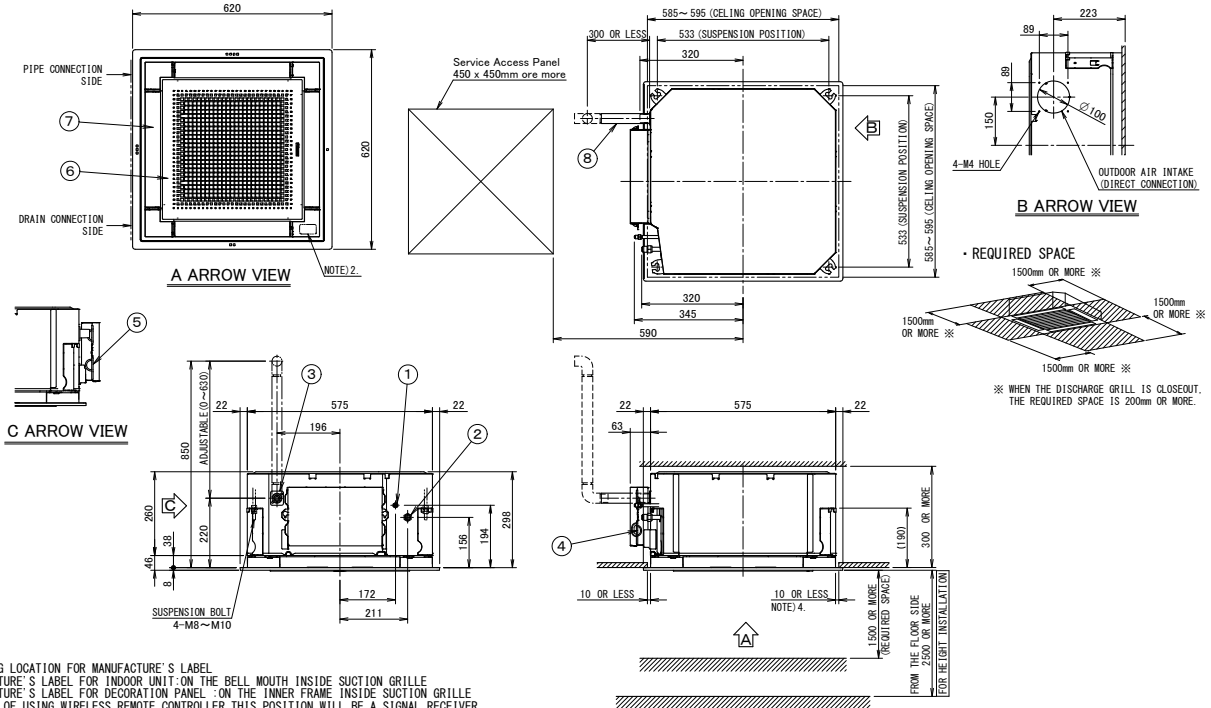
## 5 - 1 Dimensional Drawings

5

### FFA50-60A9

• DECORATION PANEL

BYF060C2W1W FRESH WHITE N9.5  
BYF060C2W1S DAIKIN SILVER



NOTE) 1. STICKING LOCATION FOR MANUFACTURE'S LABEL  
MANUFACTURE'S LABEL FOR INDOOR UNIT: ON THE BELL MOUTH INSIDE SUCTION GRILLE  
MANUFACTURE'S LABEL FOR DECORATION PANEL: ON THE INNER FRAME INSIDE SUCTION GRILLE  
2. IN CASE OF USING WIRELESS REMOTE CONTROLLER, THIS POSITION WILL BE A SIGNAL RECEIVER. REFER TO THE DRAWING OF WIRELESS REMOTE CONTROLLER IN DETAIL.  
3. WHEN THE TEMPERATURE AND HUMIDITY IN THE CEILING EXCEED 30°C AND RH 80% OR THE FRESH AIR IS INDUCTED INTO THE CEILING OR THE UNIT CONTINUES 24 HOUR OPERATION, AN ADDITIONAL INSULATION (THICKNESS 10mm OR MORE OF GLASSWOOL OR POLYETHYLENE FOAM) IS REQUIRED.  
4. THOUGH THE INSTALLATION IS ACCEPTABLE UP TO MAXIMUM OF 595mm SQUARE CEILING OPENING, KEEP THE CLEARANCE OF 10mm OR LESS BETWEEN THE MAIN UNIT AND THE CEILING OPENING SO THAT THE PANEL OVERLAP ALLOWANCE CAN BE ENSURED.

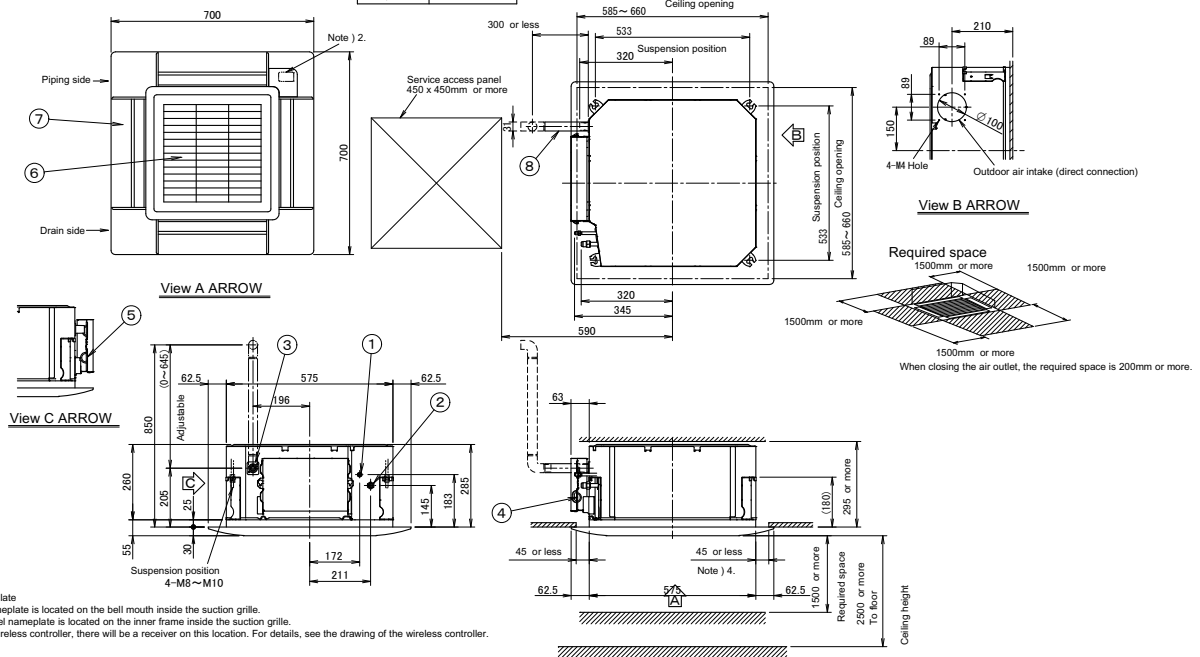
ITEM	PART NAME	REMARK	ITEM	PART NAME	REMARK
1	LIQUID PIPE CONNECTION	φ6.4 (FLARE CONNECTION)	5	REMOTE CONTROL CODE AND CONTROL WIRING CONNECTION	
2	GAS PIPE CONNECTION	φ12.7 (FLARE CONNECTION)	6	AIR DISCHARGE GRILLE	
3	DRAIN PIPE CONNECTION	VP20 (O. D. φ 26)	7	SUCTION GRILLE	
4	POWER SUPPLY CONNECTION		8	DRAIN HOSE (ACCESSORY) I. D. φ 25 (OUTLET)	

3D082052

### FFA50-60A9

Decoration panel

BYF060B2W1 WHITE Ra1 9010  
BYF060B3W1 WHITE Ra1 9010



Note )  
1. Location of nameplate  
The indoor unit nameplate is located on the bell mouth inside the suction grille.  
The decoration panel nameplate is located on the inner frame inside the suction grille.  
2. When installing a wireless controller, there will be a receiver on this location. For details, see the drawing of the wireless controller.  
3. If any of the following conditions are met, additional insulation (glass wool or polyethylene foam, thickness ≥ 10mm) is required:  
Ambient conditions in the ceiling ≥ 30°C and 80% relative humidity. The unit operates continuously.  
Fresh air is inducted into the ceiling.  
4. Though the installation is acceptable up to maximum 660mm square ceiling opening, keep the clearance of 45mm or less between the indoor unit and the ceiling opening, so that the panel overlap allowance can be ensured.

Item	Part name	Remark	Item	Part name	Remark
1	Liquid pipe connection	φ6.4 Flare connection	5	Air discharge grille	
2	Gas pipe connection	φ12.7 Flare connection	6	Air suction grille	
3	Drain pipe connection	VP20 (O. D. φ 26)	7	Drain hose Accessory	I. D. φ 25 Outlet
4	Power supply		8		

3D082161C

8