

C.3.2 OUTLINES AND DIMENSIONS

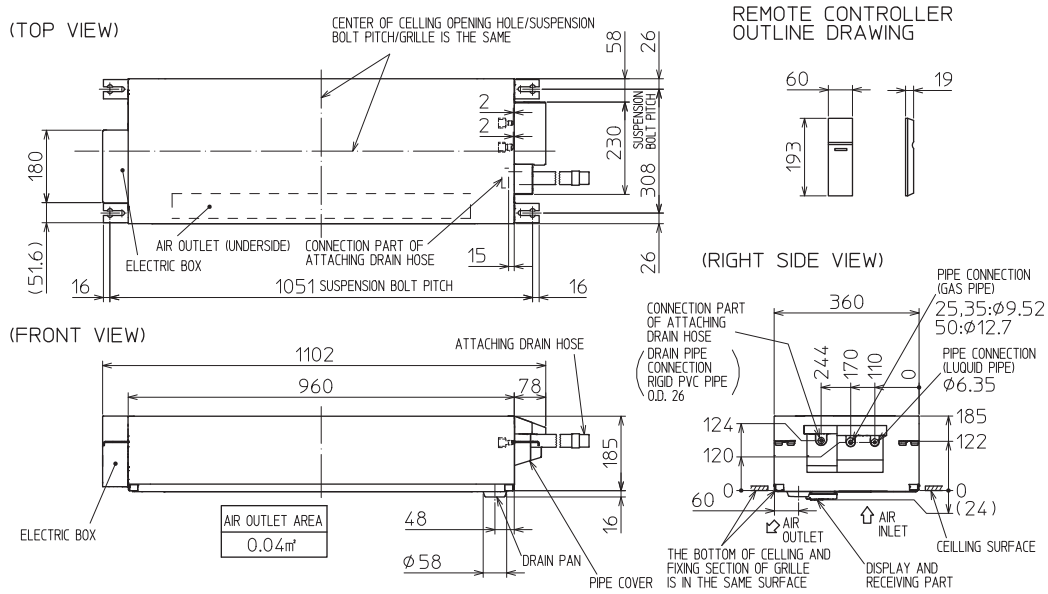
C.3.2.1 Indoor Unit

MLZ-KP25VF MLZ-KP35VF MLZ-KP50VF

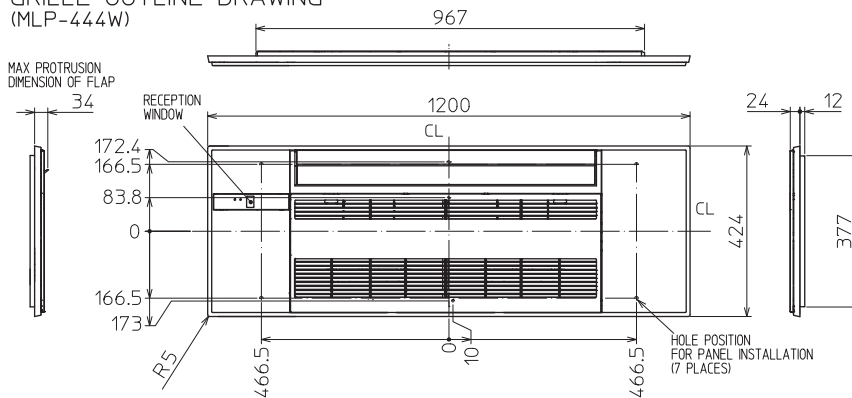
Unit: mm

INDOOR UNIT

INDOOR UNIT OUTLINE DRAWING



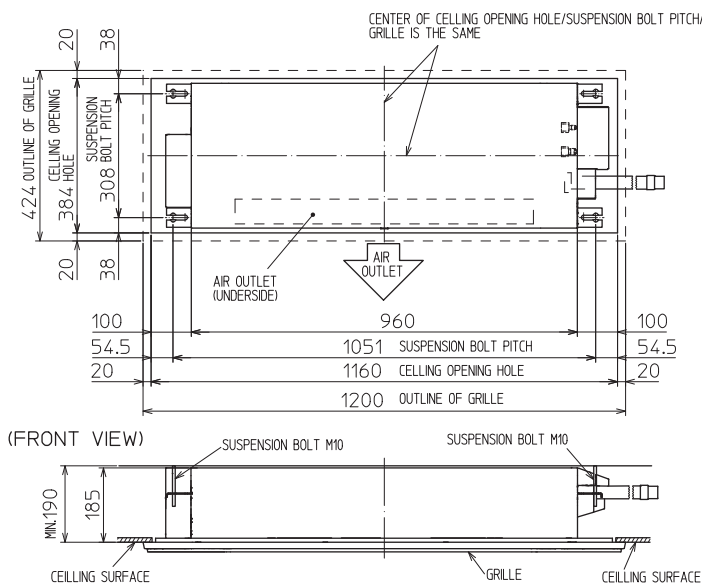
GRILLE OUTLINE DRAWING (MLP-444W)



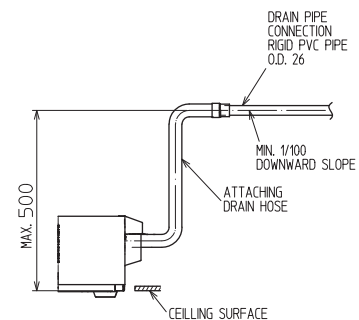
		KP25/35VF	KP50VF
EXTENSION PIPE	LIQUID PIPE O.D.	ø6.35	
	GAS PIPE O.D.	ø9.52	ø12.7
CONNECTION OF PIPE	LIQUID PIPE	FLARED CONNECTION ø6.35	
	GAS PIPE	FLARED CONNECTION ø9.52	FLARED CONNECTION ø12.7
DRAIN HOSE	HEAT INSULATOR O.D.	CONNECTION I.D.	EFFECTIVE LENGTH
DRAIN PIPE CONNECTION	ø32	ø25	480
		RIGID PVC PIPE O.D. 26	

NOTE1. CUT THE DRAIN HOSE (ACCESSORY) FOR USE, IF NECESSARY.

INDOOR UNIT DETAIL VIEW (TOP VIEW)



THE METHOD FOR STANDING DRAIN FROM INDOOR UNIT
* CUT THE DRAIN HOSE (ACCESSORY) FOR USE, IF NECESSARY.



CEILING CASSETTE OUTLINES AND DIMENSIONS