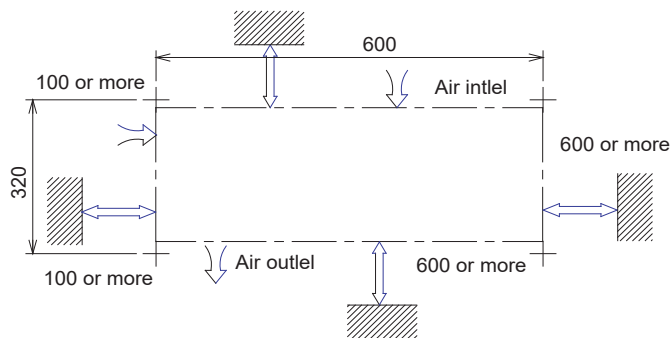
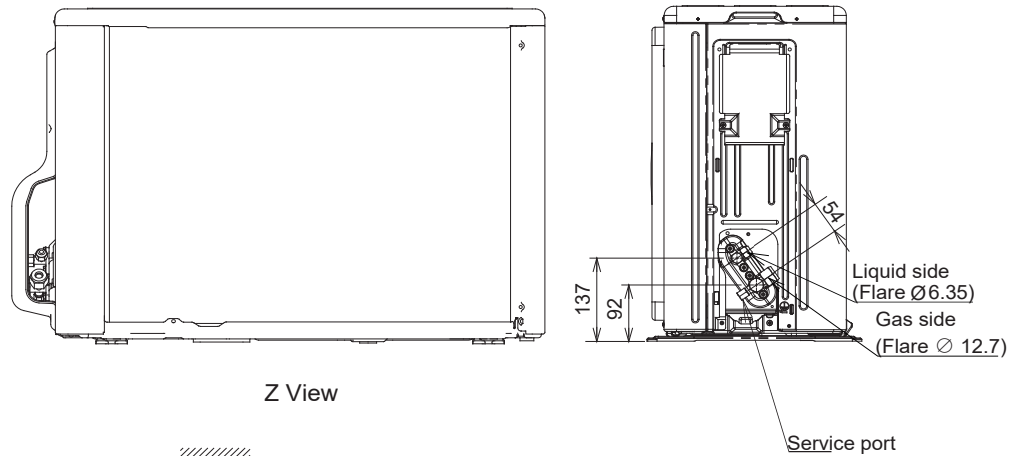
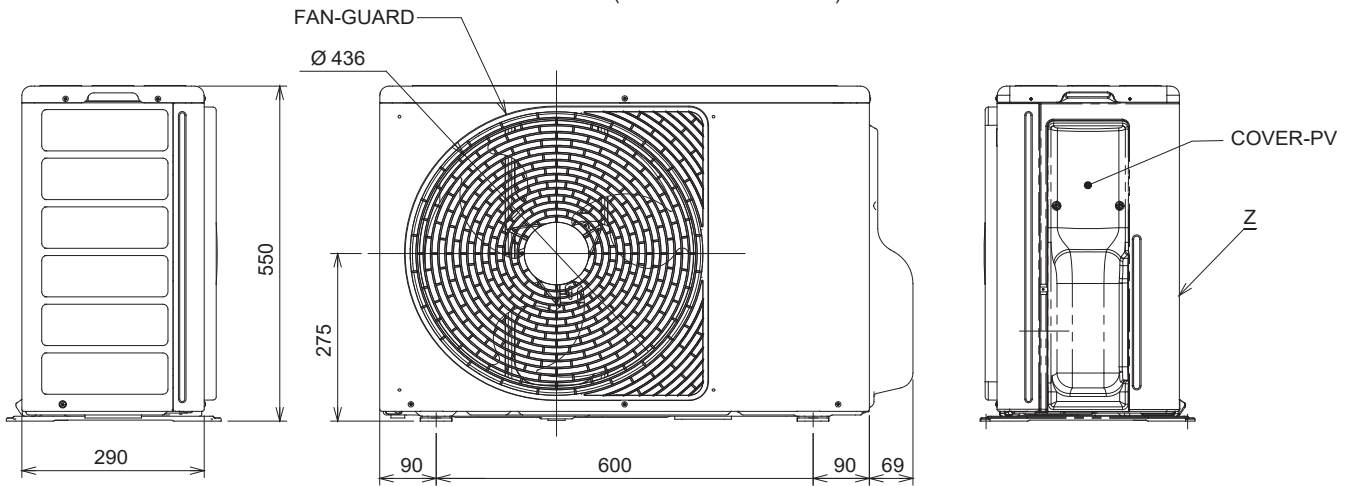
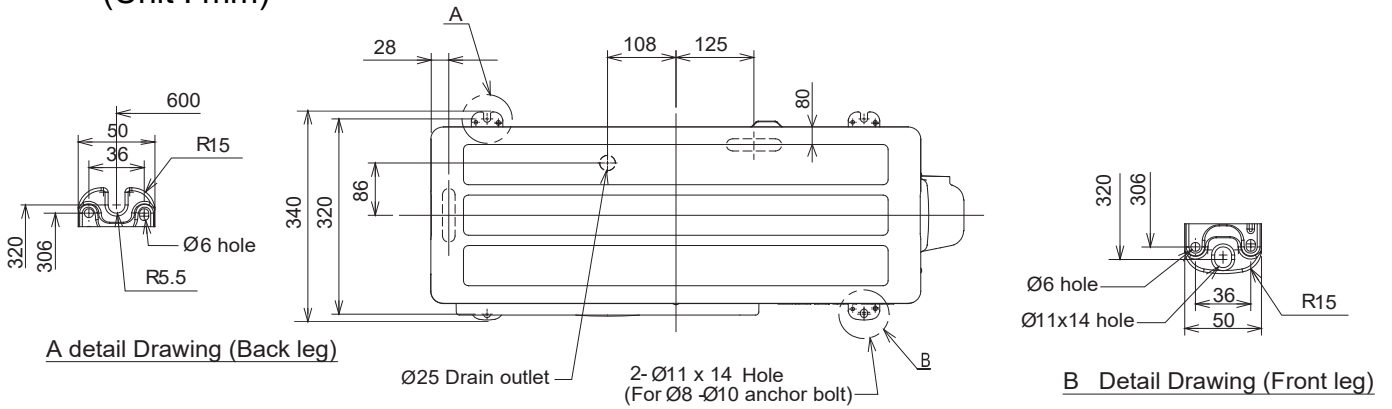


4-2. Outdoor Unit (RAS-18, 22J2AVSG-E)

(Unit : mm)



Installation dimension