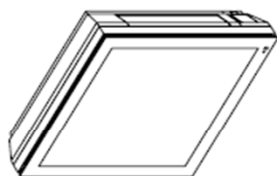
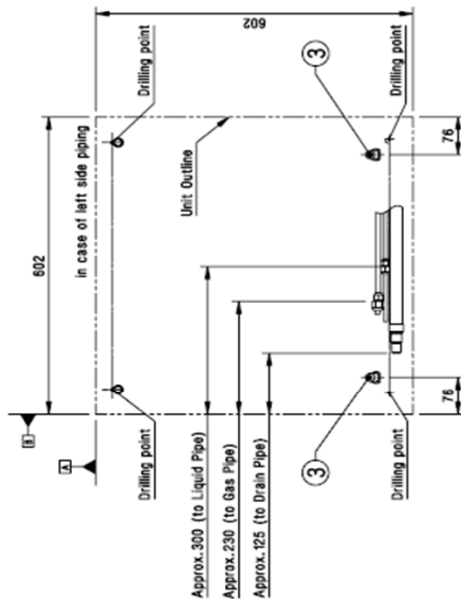
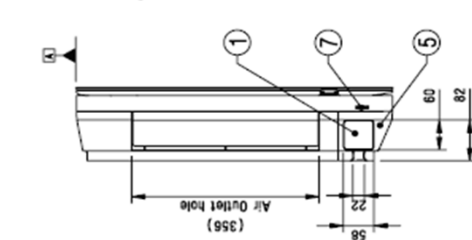
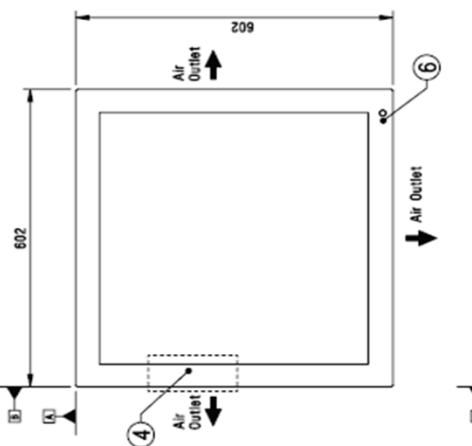
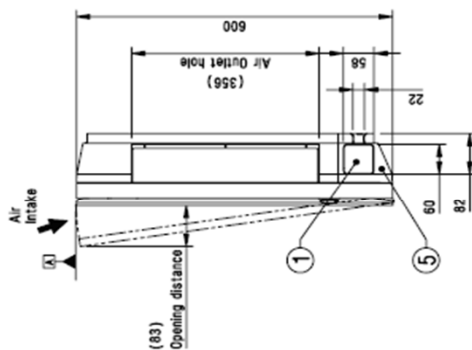
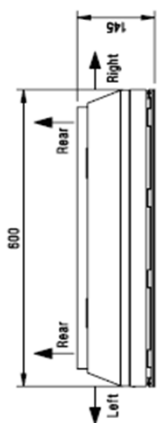


# CAC MULTI - Nástěnná jednotka Artcool Galerie MA09~12R

[Unit: mm]



3D View



Connecting gas/liquid pipe, drain hose

For dimensions of pipe holes and drilling points, refer the installation guide map pre-packed inside product box.

### Symbols

- Airflow Direction
- Piping Direction
- Datum line

### Notes

1. Unit should be installed in compliance with the installation manual in the product box.
2. Unit should be grounded in accordance with the local regulations or applicable national codes.
3. All electrical components and materials to be supplied from the site must comply with the local regulations or international codes.
4. Electric characteristics chapter should be considered for electrical work and design. Especially the power cable and circuit breaker should be selected in accordance with that.

|     |   |                       |
|-----|---|-----------------------|
| 7   | Forced ON/OFF button                              | -                     |
| 6   | Remote Controller Signal Receiver                 | for wireless type     |
| 5   | Corner Cover                                      | -                     |
| 4   | Terminal Block for Power supply and communication | inside of front panel |
| 3   | Drain hose connection                             | -                     |
| 2   | Cable routing hole                                | -                     |
| 1   | Refrigerant/Drain pipe and cable routing hole     | Knock-out type        |
| No. | Part Name   | Description           |