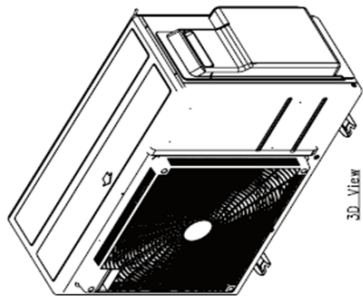
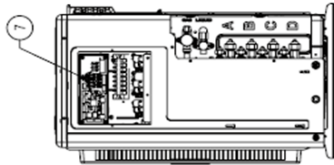


# CAC MULTI - Kondenzační jednotka MU4R25 U21

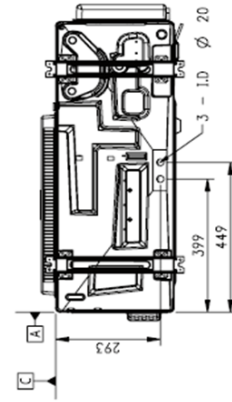
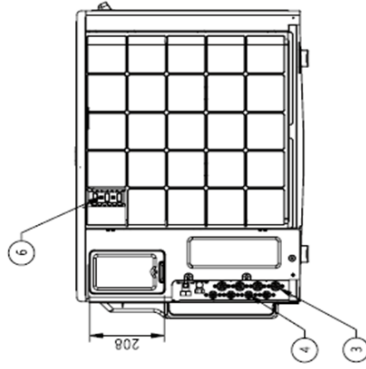
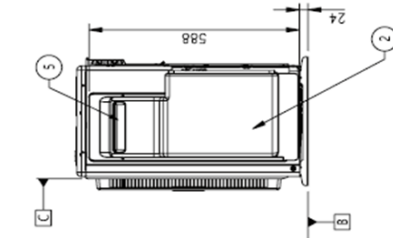
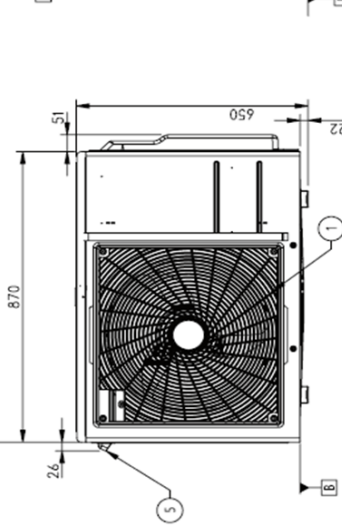
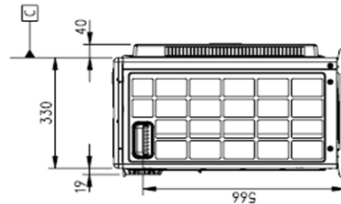
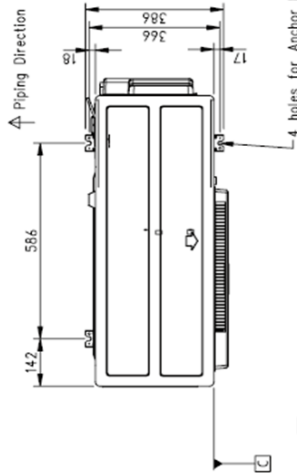
[Unit: mm]  
 Chassis code : U24A  
 DWG No. : TBW35867001\_Rev.01



3D\_View



7



**Symbol**  
 Piping direction  
 Datum line

**Note**

1. Unit should be installed in compliance with the installation manual in the product box.
2. Unit should be grounded in accordance with the local regulations or applicable national codes.
3. All electrical components and materials to be supplied from the site must comply with the local regulations or international codes.
4. Electrical characteristics chapter should be considered for electrical work and design. Especially the power cable and circuit breaker should be selected in accordance with that.

7	Power and communication cable routing hole	—
6	Intake air temperature sensor cover	—
5	Handle	—
4	Liquid pipe connection	Flare joint
3	Gas pipe connection	Flare joint
2	Control cover & SVC valve cover	—
1	Air outlet	—
No.	Part Name	Description