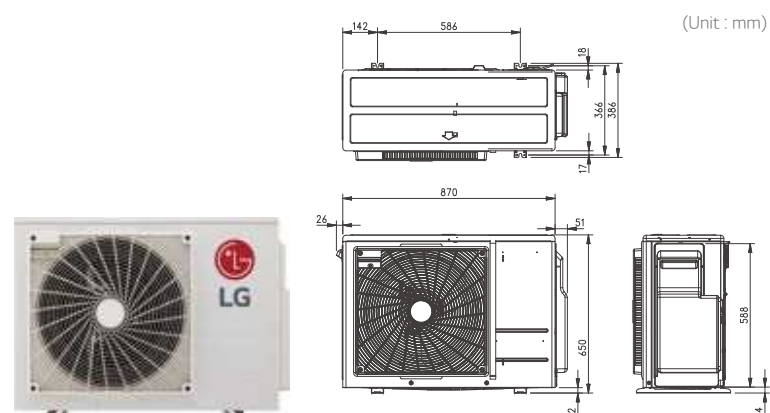


# OUTDOOR UNITS



MU3R19  
MU3R21  
MU4R25



OUTDOOR UNIT				MU3R19.U21	MU3R21.U21	MU4R25.U21
Compressor	Type			Twin Rotary	Twin Rotary	Twin Rotary
Capacity *	Cooling	Min / Nom / Max	kW	1.1 / 5.3 / 6.3	1.1 / 6.2 / 7.3	1.1 / 7.0 / 8.5
	Heating	Min / Nom / Max	kW	1.2 / 6.3 / 7.3	1.2 / 7.0 / 7.8	1.2 / 8.1 / 9.1
Low Temperature Capacity	Heating -7°C	Max	kW	5.2	5.5	5.9
Power Input *	Cooling	Min / Nom / Max	kW	0.3 / 1.1 / 2.0	0.3 / 1.4 / 2.5	0.3 / 1.8 / 2.8
	Heating	Min / Nom / Max	kW	0.3 / 1.3 / 2.0	0.3 / 1.5 / 2.4	0.3 / 1.8 / 2.9
Running Current	Cooling	Min / Nom / Max	A	1.3 / 5.0 / 9.2	1.3 / 6.5 / 11.1	1.3 / 8.0 / 12.6
	Heating	Min / Nom / Max	A	1.3 / 5.7 / 9.2	1.3 / 6.9 / 10.8	1.3 / 8.3 / 12.9
EER				4.75	4.28	4.00
COP				5.00	4.60	4.40
SEER				8.50	8.50	8.00
SCOP				4.40	4.40	4.40
Pdesign (@-10°C)			kW	5.20	5.20	5.40
Seasonal Energy Label	Cooling / Heating (A+++ to D Scale)			A+++ / A+	A+++ / A+	A++ / A+
Annual Energy Consumption	Cooling / Heating			217 / 1,655	253 / 1,655	308 / 1,718
Airflow Rate	Nom		m <sup>3</sup> /min	50	50	50
Sound Pressure	Cooling	Nom	dB(A)	48	49	50
	Heating	Nom	dB(A)	53	54	54
Sound Power	Cooling	Max	dB(A)	63	64	66
Dimensions	W x H x D		mm	870 × 650 × 330	870 × 650 × 330	870 × 650 × 330
Net Weight			Kg	46	46	46.2
Refrigerant	Type			R32	R32	R32
	Charge		Kg	1.4	1.4	1.4
	Additional Charge		g/m	20	20	20
	GWP			675	675	675
	t-CO <sub>2</sub> eq			0.945	0.945	0.945
Operation Range (Outdoor)	Cooling	Min / Max	°C DB	-10 ~ 48	-10 ~ 48	-10 ~ 48
	Heating	Min / Max	°C WB	-18 ~ 18	-18 ~ 18	-18 ~ 18
Power Supply			V, Ø, Hz	1 / 220-240 / 50	1 / 220-240 / 50	1 / 220-240 / 50
Power Supply Cable			No. x mm <sup>2</sup>	3C × 2.5	3C × 2.5	3C × 2.5
Transmission Cable			No. x mm <sup>2</sup>	4C × 0.75	4C × 0.75	4C × 0.75
Circuit Breaker			A	20	20	20
Piping Length Total			m	50	50	70
Piping Length per Branch		Max	m	25	25	25
Piping Elevation Difference	IDU - ODU	Max	m	15	15	15
	IDU - IDU	Max	m	7.5	7.5	7.5
Piping Connection	Liquid		mm(inch) x No.	Ø 6.35 (1/4) × 3	Ø 6.35 (1/4) × 3	Ø 6.35 (1/4) × 4
	Gas		mm(inch) x No.	Ø 9.52 (3/8) × 3	Ø 9.52 (3/8) × 3	Ø 9.52 (3/8) × 4

※ This Product is available from Apr.2020

Notes :

1. Capacities are based on the following conditions:

Cooling : - Indoor Temperature 27°C (80.6°F) DB / 19°C (66.2°F) WB - Outdoor Temperature 35°C (95°F) DB / 24°C (75.2°F) WB

Heating : - Indoor Temperature 20°C (68°F) DB / 15°C (59°F) WB - Outdoor Temperature 7°C (44.6°F) DB / 6°C (42.8°F) WB

Piping Length - Interconnecting Piping Length 7.5m - Level Difference of Zero.

2. \* : See page "Combination Table".

3. Due to our policy of innovation some specifications may be changed without notification.

4. At least two indoor units should be connected

5. Minimum combination ratio should be more than 40%.

6. This product contains fluorinated greenhouse gases (R32)