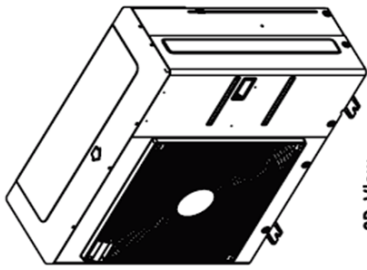


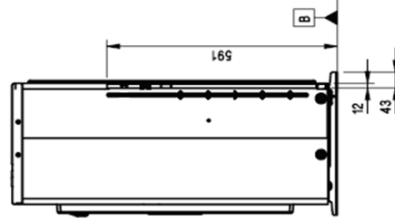
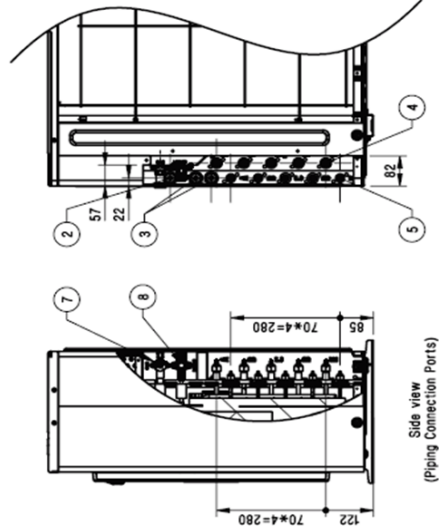
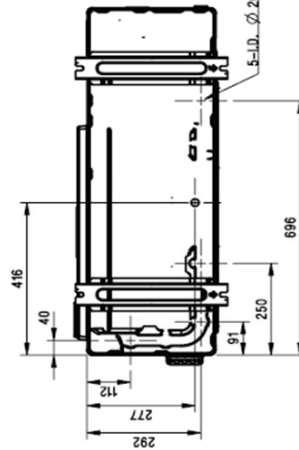
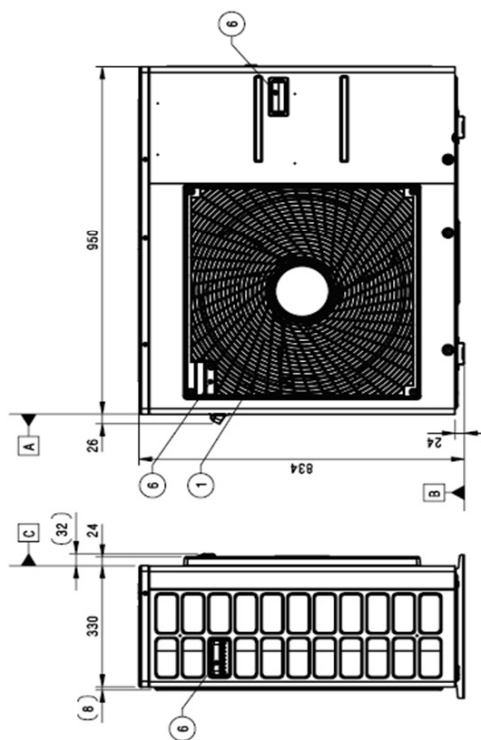
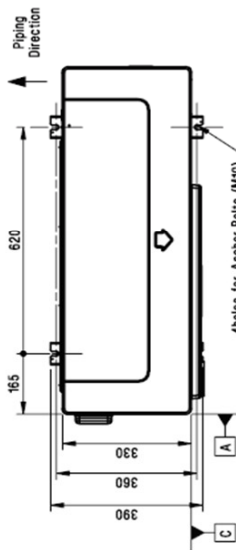
CAC MULTI - Kondenzační jednotka MU5R30 U40, MU5M40 U44

[Unit: mm]

Chassis code : U4



3D View



Symbols

- Piping Direction
- ▲ Datum line

Note

1. Unit should be installed in compliance with the installation manual in the product box.
2. Unit should be grounded in accordance with the local regulations or applicable national codes.
3. All electrical components and materials to be supplied from the site must comply with the local regulations or international codes.
4. Electric characteristics chapter should be considered for electrical work and design. Especially the power cable and circuit breaker should be selected in accordance with that.

8	SVC Valve (Liquid)	Flare joint
7	SVC Valve (Gas)	Flare joint
6	Handle	-
5	Liquid pipe Connection	Flare joint
4	Gas pipe Connection	Flare joint
3	Power and Communication Cable hole	ODU-IDU connection
2	Power Supply cable Hole	ODU power supply
1	Air Outlet	-
No.	Part Name	Description