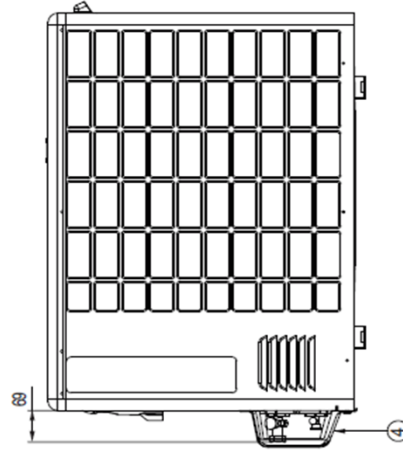
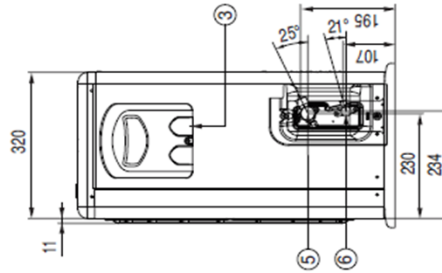
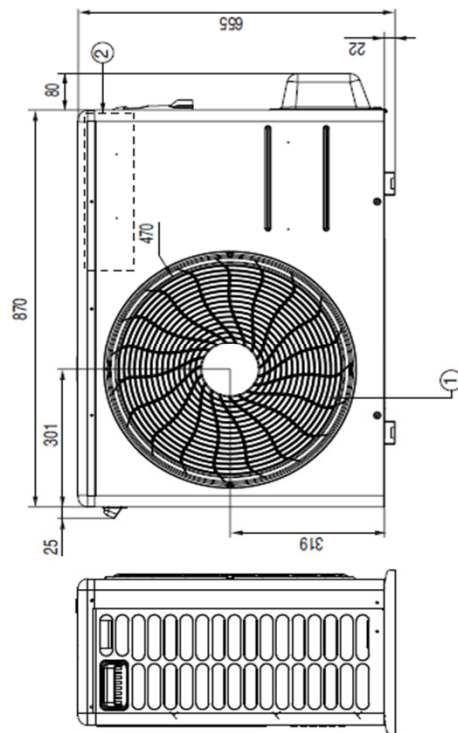
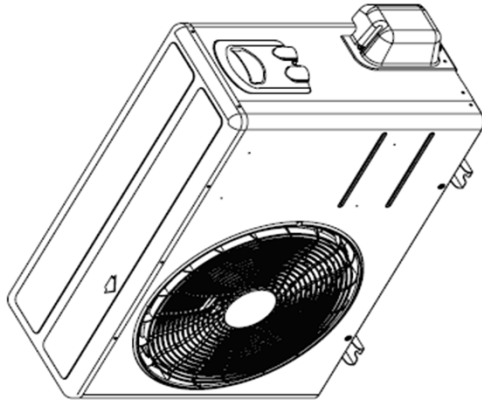
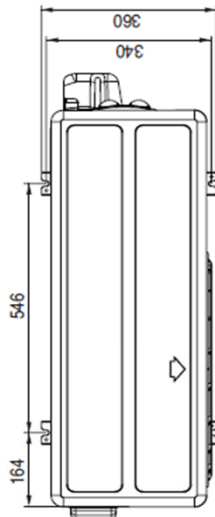
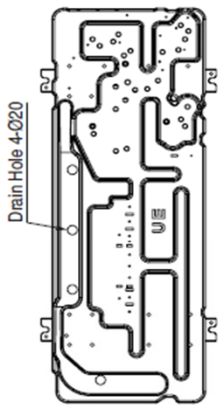


Kondenzační jednotky RAC - DC24RQ, PC24SQ, S24EQ, AC24BQ, F09~12FT

UE Chassis

DM24RP D24RN

Unit : mm



No	Name	Description
6	Liquid Pipe Connection	Flare Joint
5	Gas Pipe Connection	Flare Joint
4	Service Valve Cover	
3	Power and Communication Cable Hole	
2	Control Box	
1	Air Outlet	