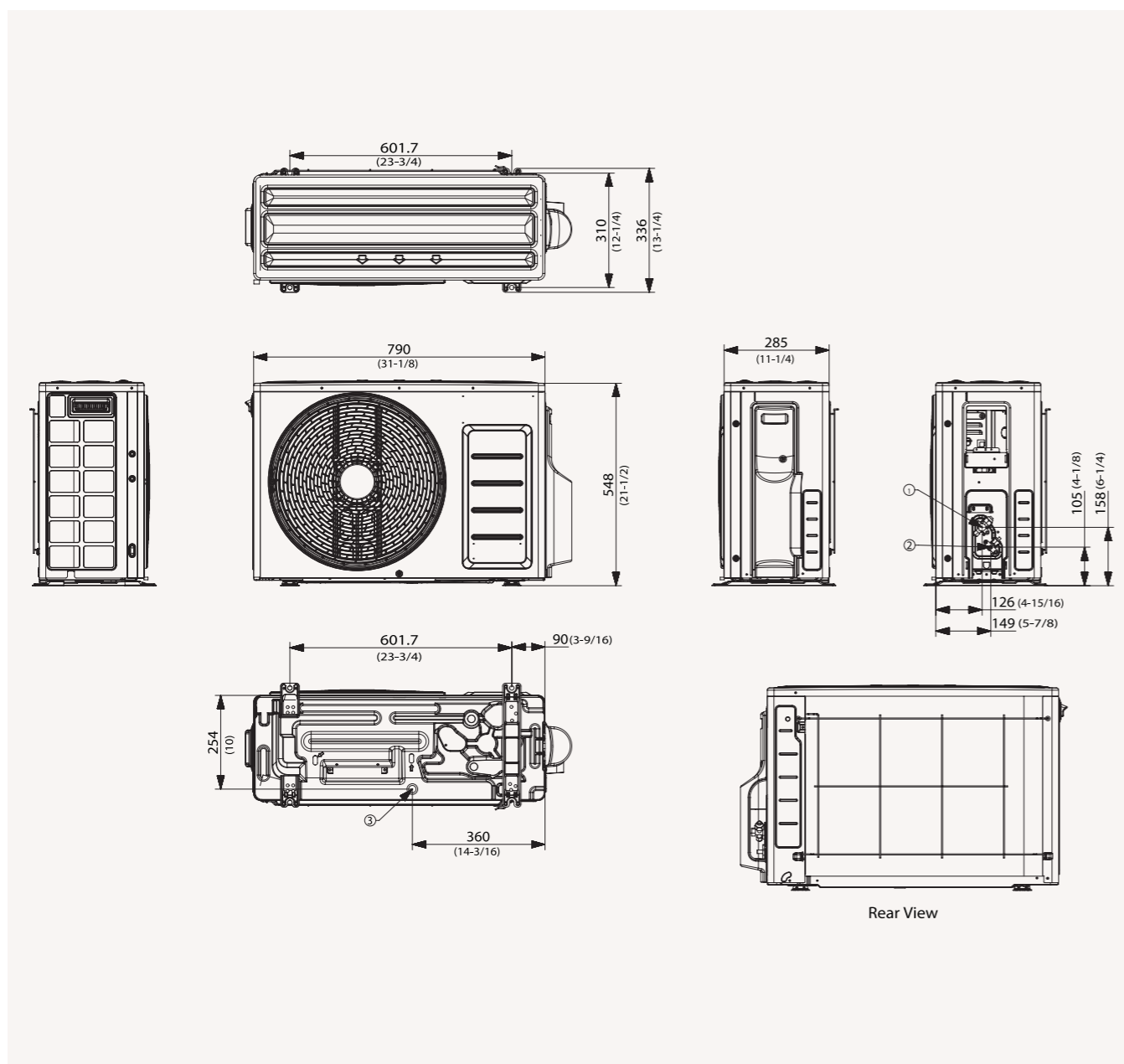


Dimensional drawings

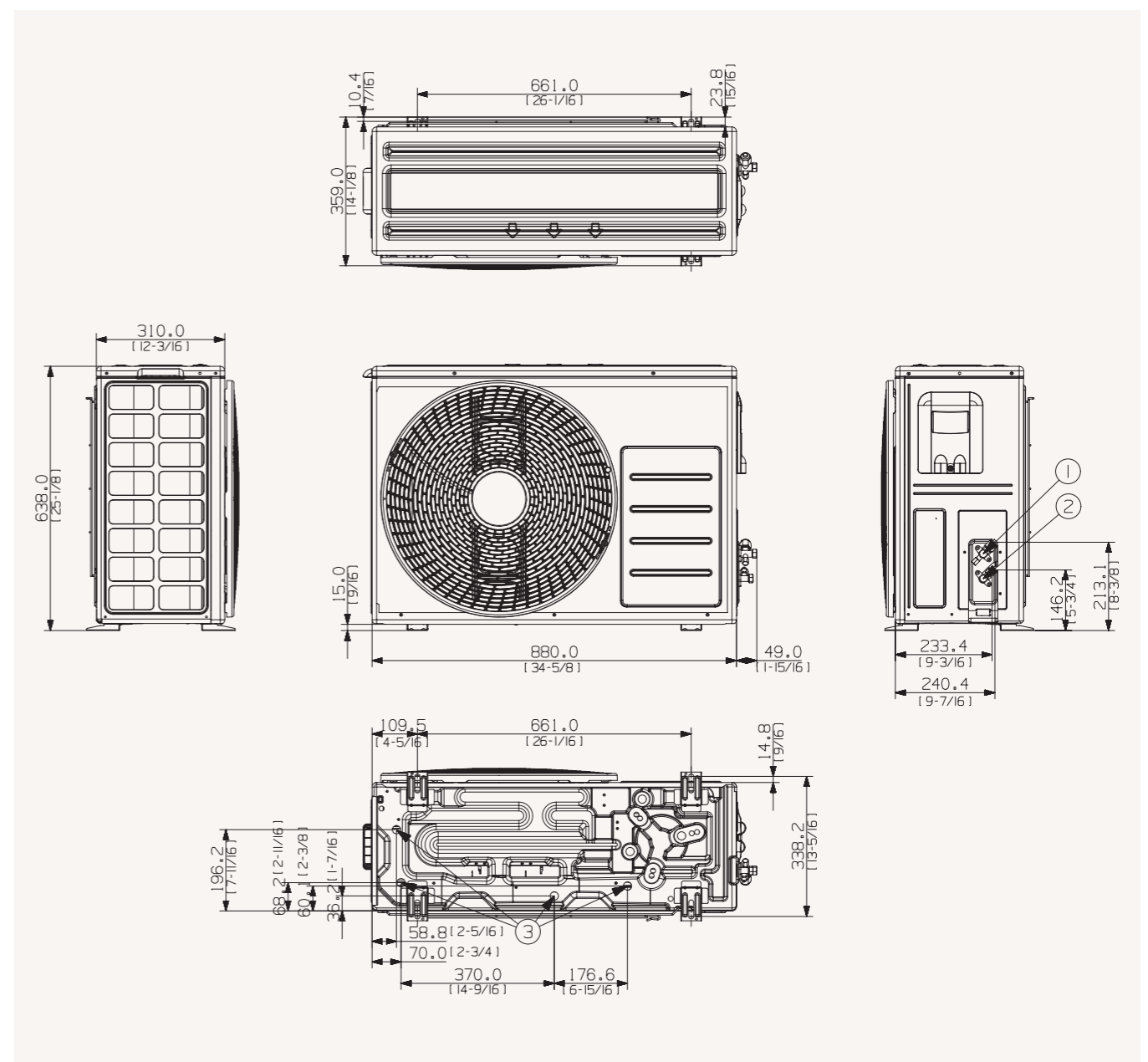
Outdoor Units

2.6 kW/3.5 kW Outdoor Unit



NO	Name	Description
1	Refrigerant gas pipe	ø9.52 (3/8)
2	Refrigerant liquid pipe	ø6.35 (1/4)
3	Drain hole	Connection with the provided drain plug.

5.2 kW/6.0 kW Outdoor Unit



NO	Name	Description
1	Refrigerant gas pipe	ø12.70 (1/2)
2	Refrigerant liquid pipe	ø6.35 (1/4)
3	Drain hole	ø20