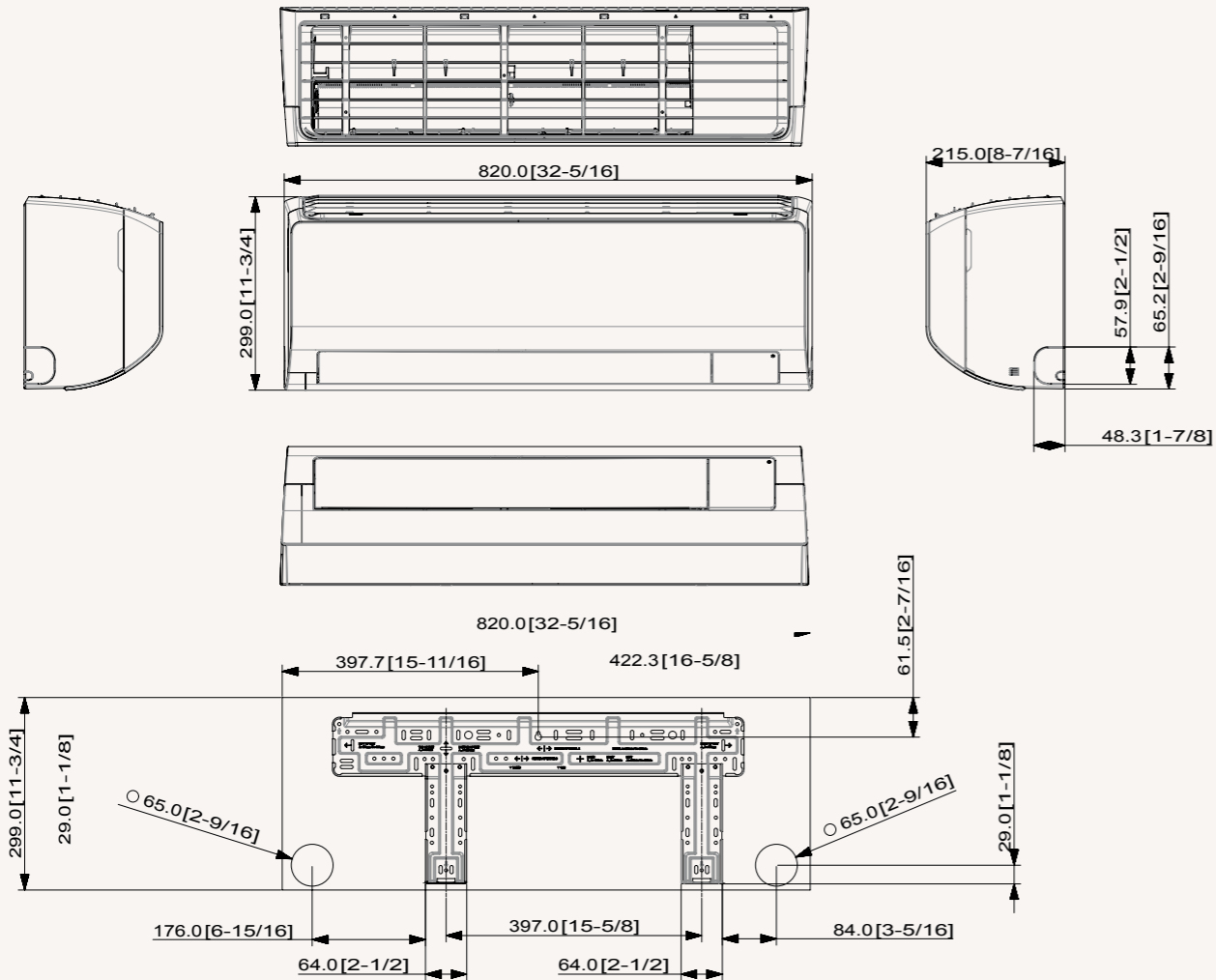


# Dimensional drawings

Wind-Free™ Comfort

AR07/09/12TXFCWKNEU



AR18/24TXFCWKNEU

