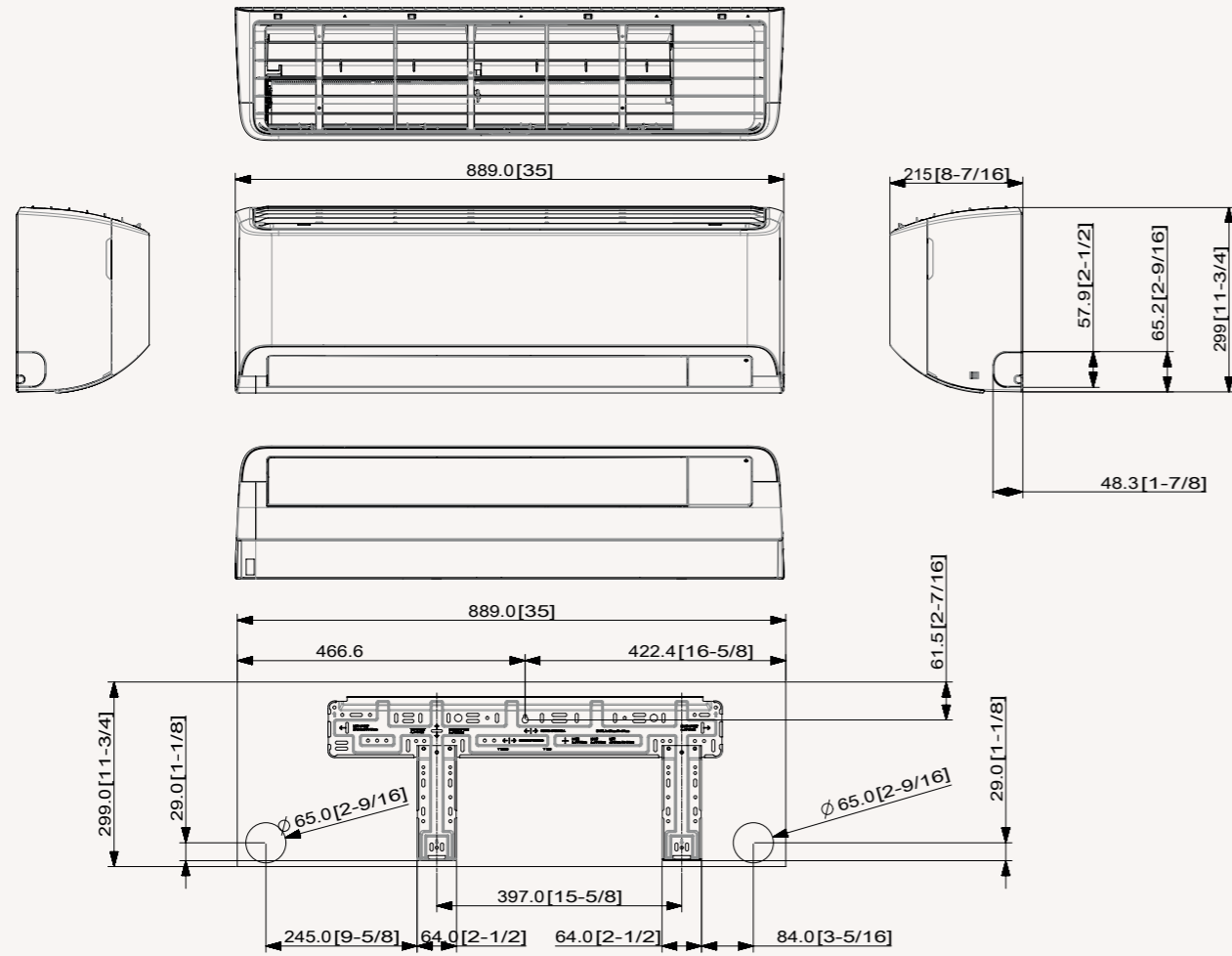


Dimensional drawings

Wind-Free™ Avant

AR07/09/12TXEAAWKNEU



AR18/24TXEAAWKNEU

