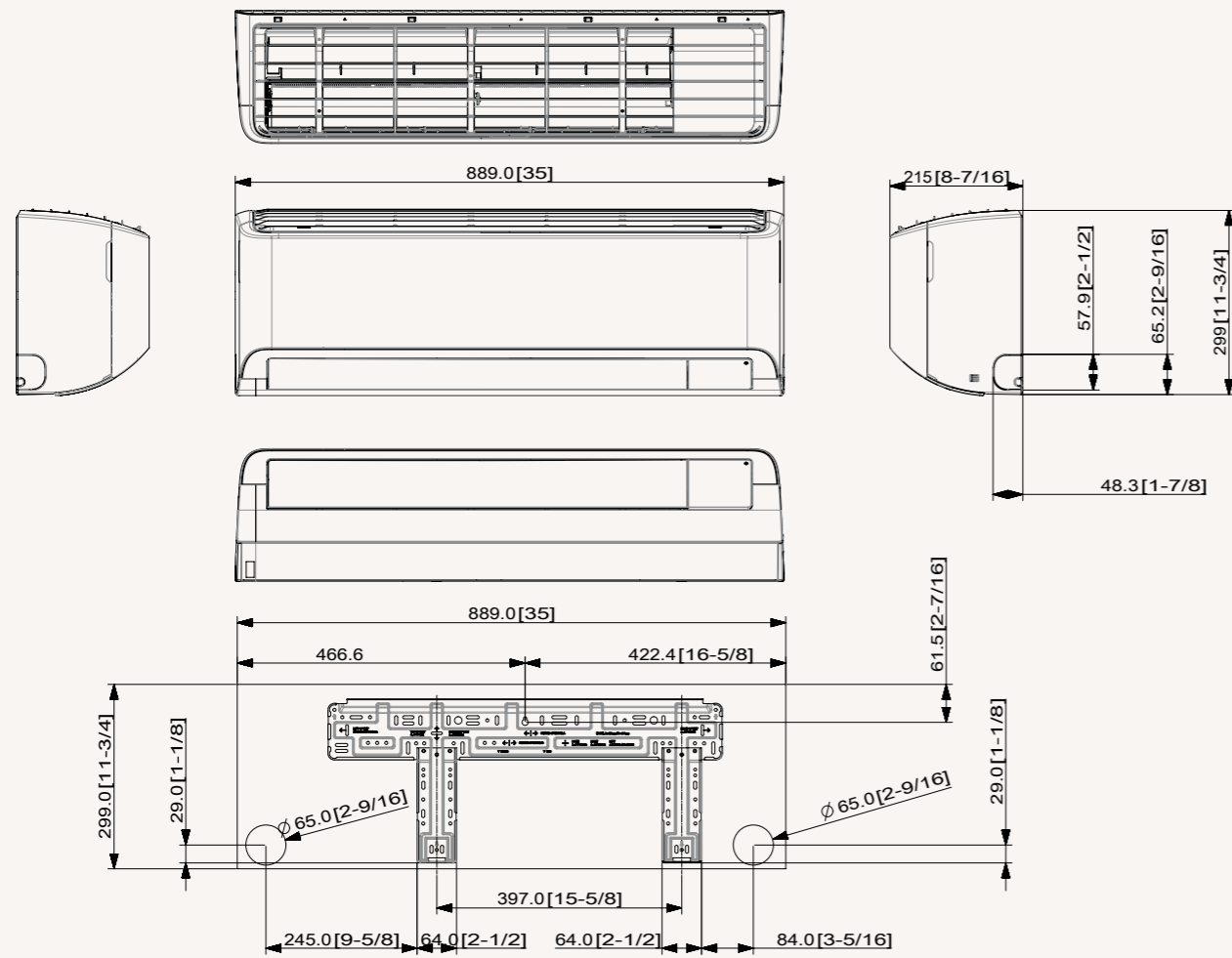


# Dimensional drawings

## Wind-Free™ Elite - Indoor

AR09/12TXCAWKNEU



## Wind-Free™ Elite - Outdoor

AR09/12TXCAWKXEU

